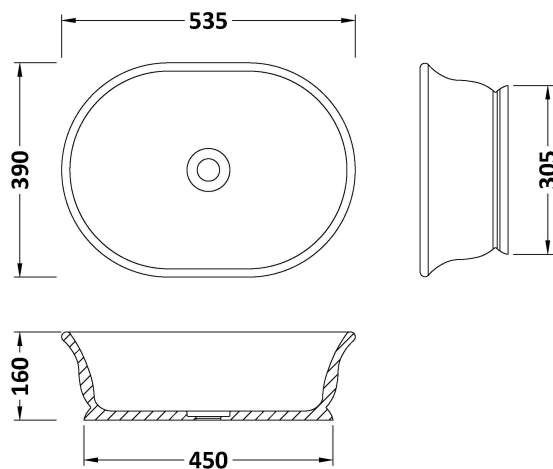
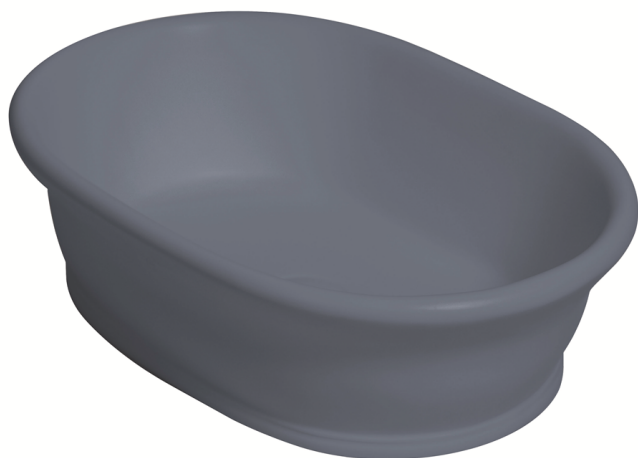


Sales Code: BAB130B

Description: Bampton/Aurelius Basin 535 X 390



Product Dimensions

Height (mm):	160
Width (mm):	535
Depth (mm):	390
Nett Weight (kg):	11

Packaging Dimensions

Height (mm):	180
Width (mm):	420
Depth (mm):	550
Gross Weight (kg):	11

Packaging Data

Box Colour:	
Box Qty:	0
Label Size:	0 x 0
Label Colour:	
Label Qty:	0

Outer Box Dimensions (If Applicable)

Height (mm):	
Width (mm):	
Depth (mm):	
Gross Weight (kg):	
Barcode:	5056462606569

Product Details

Country of Origin:	South Africa
Fitting Instruction:	No
Certification: CE & UKCA:	WRAS: N/A WRAS No: N/A
Product Material:	Solid Surface
Fixing Supplied:	No

Pans/Bidets: Trap Style: N/A Includes Seat: Not Applicable

Seats: Seat Type: N/A Material: Not Applicable
Function: Not Applicable Hinge Type: Not Applicable
Hinge Material: Not Applicable

Cisterns: Operating Type: Not Applicable Fittings: Not Applicable
Lever Type: N/A

Basins: Tap Hole: Not Applicable Chain Stay Hole: No
Template: Not Applicable Waste Type Req: Unslotted
Overflow Inc: No Overflow Cover: No
Inner Bowl Depth (mm): 155 mm