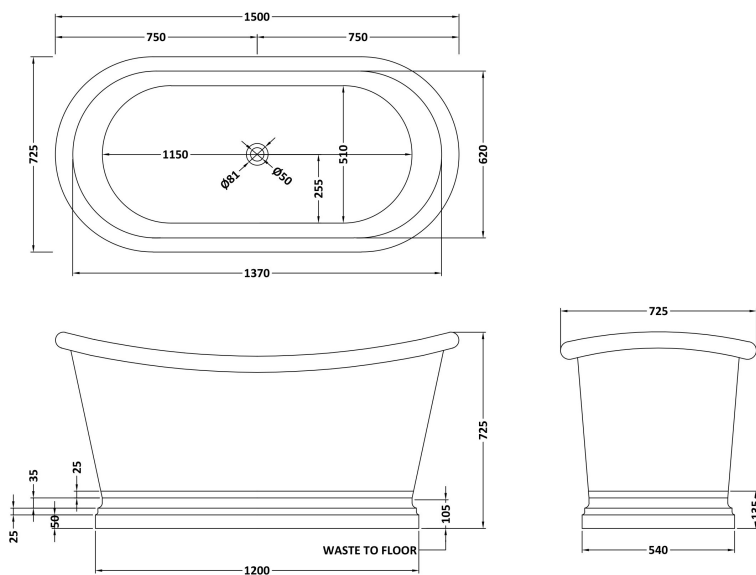


Sales Code: BAC047

Description: 1500 Antique Boat With Antique Inner



Product Dimensions

| | |
|-------------------|------|
| Length (mm): | 1500 |
| Width (mm): | 725 |
| Depth (mm): | 725 |
| Nett Weight (kg): | 40 |

Packaging Dimensions

| | |
|--------------------|-------|
| Length (mm): | 1600 |
| Width (mm): | 820 |
| Depth (mm): | 800 |
| Gross Weight (kg): | 67.75 |

Packaging Data

| | |
|---------------|-------|
| Box Colour: | |
| Box Qty: | 0 |
| Label Size: | 0 x 0 |
| Label Colour: | |
| Label Qty: | 0 |

Outer Box Dimensions (If Applicable)

| | |
|--------------------|---------------|
| Length (mm): | |
| Width (mm): | |
| Height (mm): | |
| Gross Weight (kg): | |
| Barcode: | 5056462661766 |

Product Details

| | |
|----------------------------|---------------------|
| Country of Origin: | India |
| Fitting Instruction: | No |
| Certification: | FSC: No CE & UKCA: |
| Material Colour Reference: | Not Applicable |
| Product Material: | Copper |
| Material Thickness: | |
| Volume (Ltr): | 180L |
| Displaced Capacity: | 110L |
| Leg Set Included: | Legset Not Included |
| Waste Included: | Waste Not Included |
| Drilled/Undrilled: | Undrilled For Taps |
| Includes Grips: | No Grips Supplied |
| Embossed: | No |
| No of Tapholes: | None |
| Anti-Slip: | No |