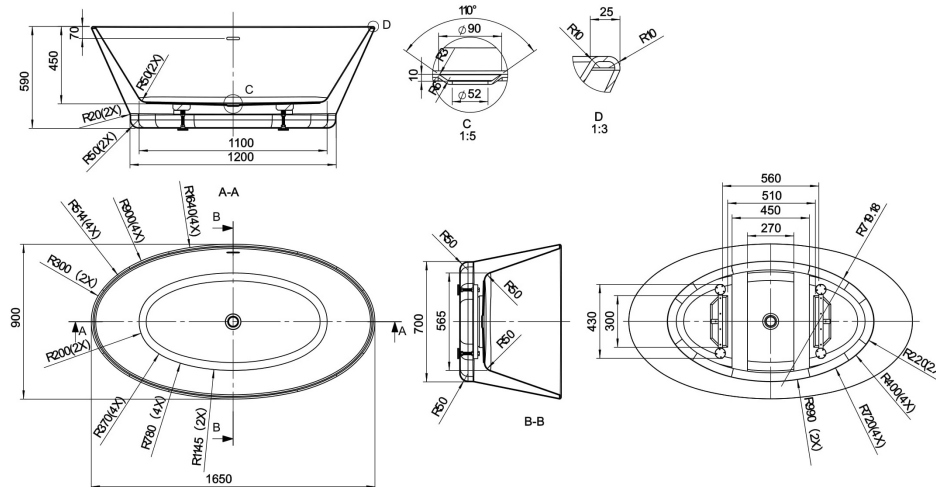


Sales Code: BAS016

Description: Chal Minor 1650X900 Bath(Waste Included)



Product Dimensions

Length (mm):	1650
Width (mm):	900
Depth (mm):	590
Nett Weight (kg):	43

Packaging Dimensions

Length (mm):	1690
Width (mm):	930
Depth (mm):	640
Gross Weight (kg):	63

Packaging Data

Box Colour:	
Box Qty:	0
Label Size:	0 x 0
Label Colour:	
Label Qty:	0

Outer Box Dimensions (If Applicable)

Length (mm):	
Width (mm):	
Height (mm):	
Gross Weight (kg):	
Barcode:	5056462608235

Product Details

Country of Origin:	Hong Kong
Fitting Instruction:	No
Certification:	FSC: No CE & UKCA:
Material Colour Reference:	European White
Product Material:	
Material Thickness:	
Volume (Ltr):	
Displaced Capacity:	
Leg Set Included:	
Waste Included:	
Drilled/Undrilled:	
Includes Grips:	
Embossed:	
No of Tapholes:	
Anti-Slip:	