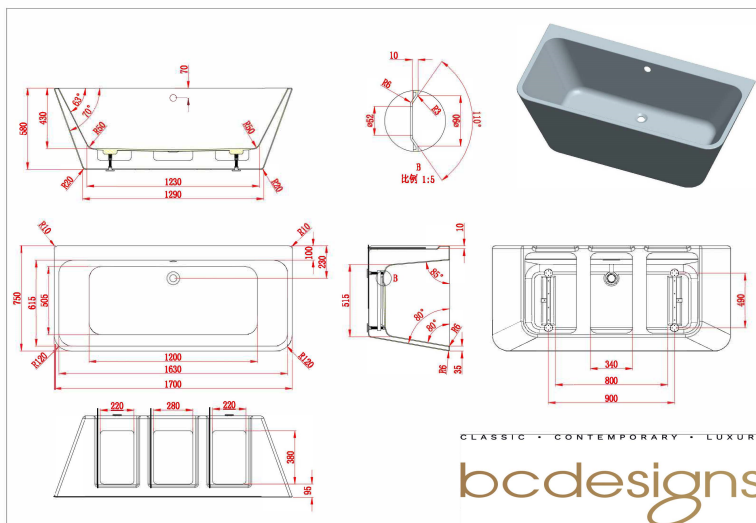


Sales Code: BAS025

Description: Ancora Btw 1700X750 Bath(Waste Included)



Product Dimensions

| | |
|-------------------|------|
| Length (mm): | 1700 |
| Width (mm): | 750 |
| Depth (mm): | 580 |
| Nett Weight (kg): | 39 |

Packaging Dimensions

| | |
|--------------------|------|
| Length (mm): | 1740 |
| Width (mm): | 790 |
| Depth (mm): | 650 |
| Gross Weight (kg): | 59 |

Packaging Data

| | |
|---------------|-------|
| Box Colour: | |
| Box Qty: | 0 |
| Label Size: | 0 x 0 |
| Label Colour: | |
| Label Qty: | 0 |

Outer Box Dimensions (If Applicable)

| | |
|--------------------|---------------|
| Length (mm): | |
| Width (mm): | |
| Height (mm): | |
| Gross Weight (kg): | |
| Barcode: | 5056462661834 |

Product Details

| | |
|----------------------------|--------------------|
| Country of Origin: | China |
| Fitting Instruction: | No |
| Certification: | FSC: No CE & UKCA: |
| Material Colour Reference: | European White |
| Product Material: | |
| Material Thickness: | |
| Volume (Ltr): | |
| Displaced Capacity: | |
| Leg Set Included: | |
| Waste Included: | |
| Drilled/Undrilled: | |
| Includes Grips: | |
| Embossed: | |
| No of Tapholes: | |
| Anti-Slip: | |