

**Sales Code:** BAZSE008

**Description:** 1700X700 Standard Bath Panel & Screen

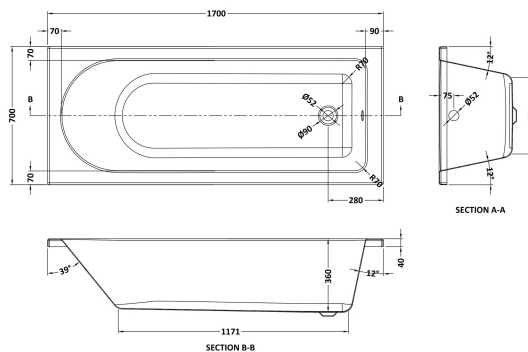


**Packaging Details**

Barcode: 5056678407646

**Sales Code:** NBA609

**Description:** Standard Se Bath & Leg Set 1700X700



**Product Dimensions**

Length (mm):	1700
Width (mm):	700
Depth (mm):	355
Nett Weight (kg):	17

**Packaging Dimensions**

Length (mm):	1700
Width (mm):	720
Depth (mm):	400
Gross Weight (kg):	17

**Packaging Data**

Box Colour:	Brown Cardboard Sleeve
Box Qty:	1
Label Size:	100 x 50
Label Colour:	White Label
Label Qty:	2

**Outer Box Dimensions (If Applicable)**

Length (mm):	
Width (mm):	
Height (mm):	
Gross Weight (kg):	
Barcode:	5055369006649

**Product Details**

Country of Origin:	Egypt
Fitting Instruction:	No
Certification:	FSC: CE & UKCA:
Material Colour Reference:	European White
Product Material:	Acrylic
Material Thickness:	4mm
Volume (Ltr):	180L
Displaced Capacity:	110L
Leg Set Included:	Legset Included
Waste Included:	Waste Not Included
Drilled/Undrilled:	Undrilled For Taps
Includes Grips:	No Grips Supplied
Embossed:	No
No of Tapholes:	None
Anti-Slip:	No

**Sales Code:** PAN140

**Description:** Straight Bath Front Panel 1700X510x25mm



**Product Dimensions**

Length (mm):	1700
Width (mm):	525
Depth (mm):	20
Nett Weight (kg):	2.1

**Packaging Dimensions**

Length (mm):	1700
Width (mm):	525
Depth (mm):	35
Gross Weight (kg):	2.1

**Packaging Data**

Box Colour:	Polybagged With End Caps
Box Qty:	1
Label Size:	100 x 50
Label Colour:	White Label
Label Qty:	1

**Outer Box Dimensions (If Applicable)**

Length (mm):	
Width (mm):	
Height (mm):	
Gross Weight (kg):	
Barcode:	5055369060832

**Product Details**

Country of Origin:	United Kingdom
Fitting Instruction:	No
Certification:	FSC: N/A CE & UKCA: N/A
Material Colour Reference:	European White
Product Material:	Acrylic
Material Thickness:	2mm
Volume (Ltr):	N/A
Displaced Capacity:	N/A
Leg Set Included:	Not Applicable
Waste Included:	Not Applicable
Drilled/Undrilled:	Not Applicable
Includes Grips:	Not Applicable
Embossed:	No
No of Tapholes:	Not Applicable
Anti-Slip:	Not Applicable

Sales Code: NSSR1

Description: Round Bath Screen, Rail (6)



### Product Dimensions

Height (mm):	1430
Width (mm):	790
Depth (mm):	38
Nett Weight (kg):	17.5

### Packaging Dimensions

Height (mm):	55
Width (mm):	810
Length (mm):	1460
Gross Weight (kg):	17.5

### Packaging Data

Box Colour:	Brown Cardboard Box - Printed
Box Qty:	1
Label Size:	100 x 50
Label Colour:	Not Applicable
Label Qty:	0

### Outer Box Dimensions (If Applicable)

Height (mm):	
Width (mm):	
Depth (mm):	
Length (mm):	
Gross Weight (kg):	
Barcode:	5055369001408

### Product Details

Country of Origin:	China
Fitting Instruction:	No
CE & UKCA:	Yes
Profile Material:	Aluminium
Profile Finish:	Chrome
Adjustments (mm):	775mm-790mm
Entry Width (mm):	N/A
Swing In Dim (mm):	700mm
Swing Out Dim (mm):	700mm
Radius (mm):	Not Applicable
Glass Thickness (mm):	6
Easy Fit:	No
Easy Clean:	No
Handle Style:	Not Applicable
Handle Material:	Not Applicable
Enclosure Design:	Frameless
Wheel Type:	Not Applicable
Support Bar Included:	Support Bar Not Included
Extras:	Towel Rail