

Sales Code: BAZSS002

Description: 1700 Sq Bath Panel & Chrome Screen Lh

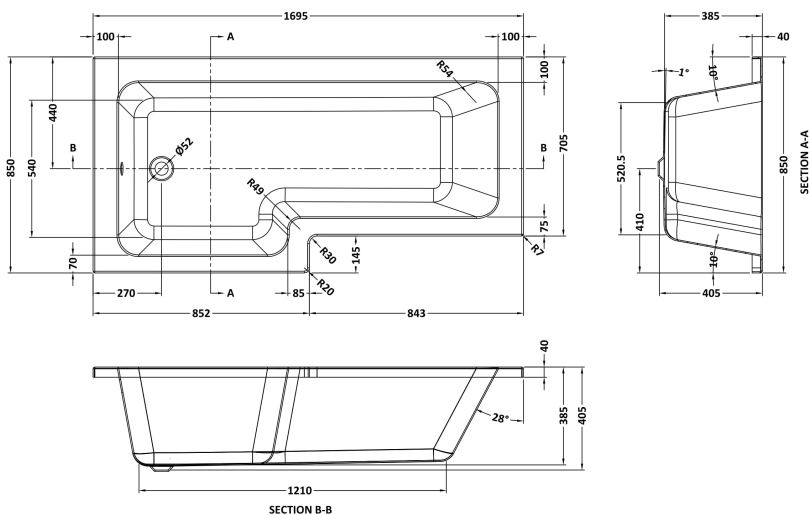


Packaging Details

Barcode: 5056678408834

Sales Code: NSK701S

Description: L Shape Shower Bath & Legs 1700X850 Lh



Product Dimensions

Length (mm):	1700
Width (mm):	850
Depth (mm):	405
Nett Weight (kg):	24.5

Packaging Dimensions

Length (mm):	1700
Width (mm):	850
Depth (mm):	425
Gross Weight (kg):	24.5

Packaging Data

Box Colour:	Brown Cardboard Sleeve
Box Qty:	1
Label Size:	300 x 35
Label Colour:	White Label
Label Qty:	2

Outer Box Dimensions (If Applicable)

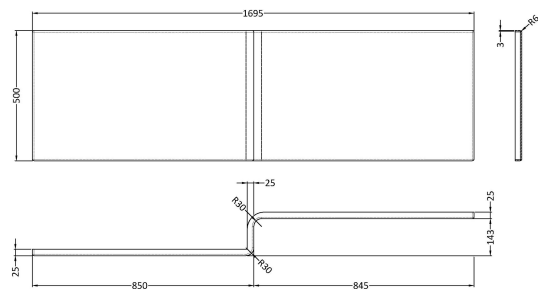
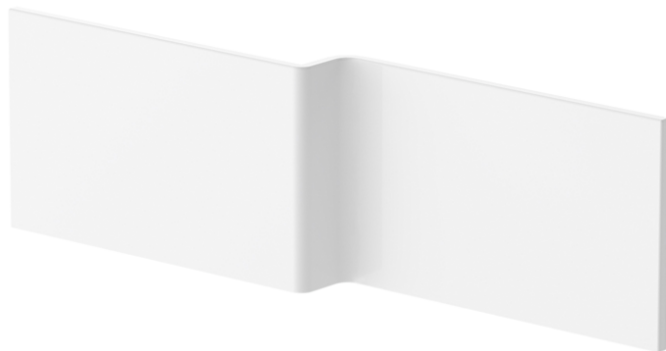
Length (mm):	
Width (mm):	
Height (mm):	
Gross Weight (kg):	
Barcode:	5056462696805

Product Details

Country of Origin:	Egypt
Fitting Instruction:	No
Certification:	FSC: CE & UKCA: Yes
Material Colour Reference:	European White
Product Material:	Acrylic
Material Thickness:	4mm
Volume (Ltr):	235L
Displaced Capacity:	165L
Leg Set Included:	Legset Included
Waste Included:	Waste Not Included
Drilled/Undrilled:	Undrilled For Taps
Includes Grips:	No Grips Supplied
Embossed:	No
No of Tapholes:	None
Anti-Slip:	No

Sales Code: WBS300

Description: 1700 Sq Showerbath Front Panel Cw Fixing



Product Dimensions

Length (mm):	1695
Width (mm):	500
Depth (mm):	167
Nett Weight (kg):	3.4

Packaging Dimensions

Length (mm):	1720
Width (mm):	515
Depth (mm):	35
Gross Weight (kg):	3.4

Packaging Data

Box Colour:	Polybagged With End Caps
Box Qty:	1
Label Size:	300 x 35
Label Colour:	White Label
Label Qty:	1

Outer Box Dimensions (If Applicable)

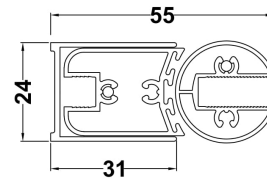
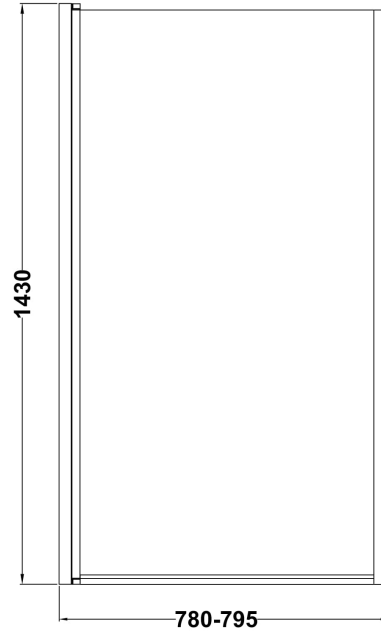
Length (mm):	
Width (mm):	
Height (mm):	
Gross Weight (kg):	
Barcode:	5055369083596

Product Details

Country of Origin:	Turkey
Fitting Instruction:	No
Certification:	FSC: CE & UKCA:
Material Colour Reference:	European White
Product Material:	Acrylic
Material Thickness:	2mm
Volume (Ltr):	N/A
Displaced Capacity:	N/A
Leg Set Included:	Not Applicable
Waste Included:	Not Applicable
Drilled/Undrilled:	Not Applicable
Includes Grips:	Not Applicable
Embossed:	Not Applicable
No of Tapholes:	Not Applicable
Anti-Slip:	Not Applicable

Sales Code: NSBS7

Description: Sq Shower Screen, Fixed Return (6)



Product Dimensions

Height (mm):	1430
Width (mm):	795
Depth (mm):	150
Nett Weight (kg):	18.7

Packaging Dimensions

Height (mm):	55
Width (mm):	840
Length (mm):	1460
Gross Weight (kg):	18.7

Packaging Data

Box Colour:	Brown Cardboard Box - Printed
Box Qty:	
Label Size:	x
Label Colour:	Not Applicable
Label Qty:	

Outer Box Dimensions (If Applicable)

Height (mm):	
Width (mm):	
Depth (mm):	
Length (mm):	
Gross Weight (kg):	
Barcode:	5055275824962

Product Details

Country of Origin:	China
Fitting Instruction:	No
CE & UKCA:	Yes
Profile Material:	Aluminium
Profile Finish:	Chrome
Adjustments (mm):	780mm - 795mm
Entry Width (mm):	
Swing In Dim (mm):	777mm
Swing Out Dim (mm):	777mm
Radius (mm):	Not Applicable
Glass Thickness (mm):	6
Easy Fit:	Not Applicable
Easy Clean:	No
Handle Style:	Not Applicable
Handle Material:	Not Applicable
Enclosure Design:	Not Applicable
Wheel Type:	Not Applicable
Support Bar Included:	Support Bar Not Included
Extras:	None