

Sales Code: BAZSS004

Description: 1700 Sq Bath Panel & Chrome Screen Lh

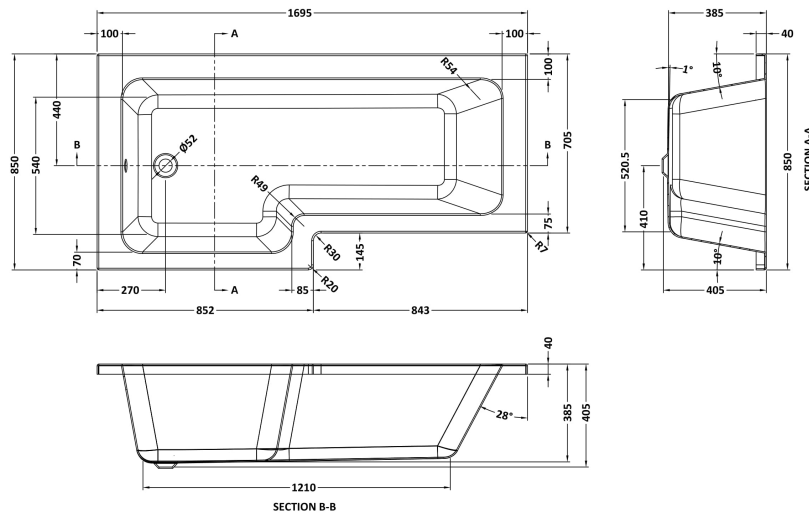
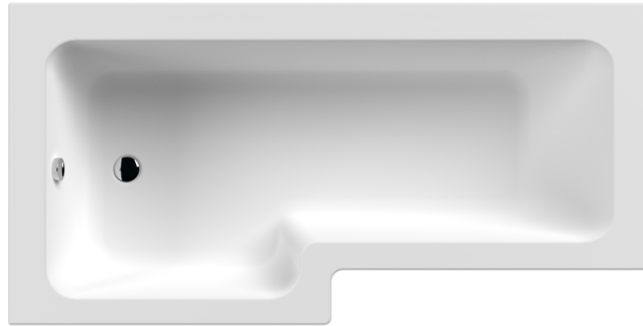


Packaging Details

Barcode: 5056678408858

Sales Code: NSK701S

Description: L Shape Shower Bath & Legs 1700X850 Lh



Product Dimensions

| | |
|-------------------|------|
| Length (mm): | 1700 |
| Width (mm): | 850 |
| Depth (mm): | 405 |
| Nett Weight (kg): | 24.5 |

Packaging Dimensions

| | |
|--------------------|------|
| Length (mm): | 1700 |
| Width (mm): | 850 |
| Depth (mm): | 425 |
| Gross Weight (kg): | 24.5 |

Packaging Data

| | |
|---------------|------------------------|
| Box Colour: | Brown Cardboard Sleeve |
| Box Qty: | 1 |
| Label Size: | 300 x 35 |
| Label Colour: | White Label |
| Label Qty: | 2 |

Outer Box Dimensions (If Applicable)

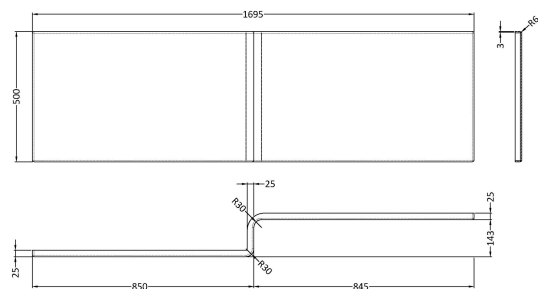
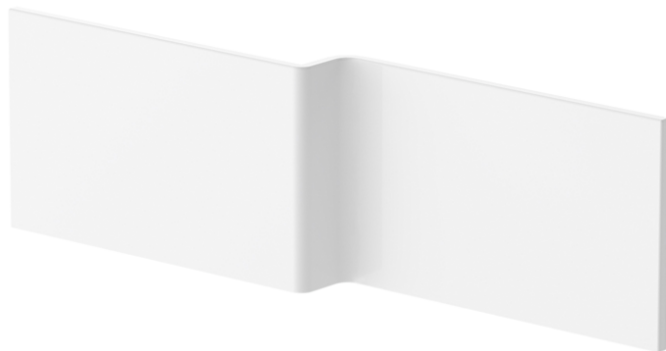
| | |
|--------------------|---------------|
| Length (mm): | |
| Width (mm): | |
| Height (mm): | |
| Gross Weight (kg): | |
| Barcode: | 5056462696805 |

Product Details

| | |
|----------------------------|---------------------|
| Country of Origin: | Egypt |
| Fitting Instruction: | No |
| Certification: | FSC: CE & UKCA: Yes |
| Material Colour Reference: | European White |
| Product Material: | Acrylic |
| Material Thickness: | 4mm |
| Volume (Ltr): | 235L |
| Displaced Capacity: | 165L |
| Leg Set Included: | Legset Included |
| Waste Included: | Waste Not Included |
| Drilled/Undrilled: | Undrilled For Taps |
| Includes Grips: | No Grips Supplied |
| Embossed: | No |
| No of Tapholes: | None |
| Anti-Slip: | No |

Sales Code: WBS300

Description: 1700 Sq Showerbath Front Panel Cw Fixing



Product Dimensions

| | |
|-------------------|------|
| Length (mm): | 1695 |
| Width (mm): | 500 |
| Depth (mm): | 167 |
| Nett Weight (kg): | 3.4 |

Packaging Dimensions

| | |
|--------------------|------|
| Length (mm): | 1720 |
| Width (mm): | 515 |
| Depth (mm): | 35 |
| Gross Weight (kg): | 3.4 |

Packaging Data

| | |
|---------------|--------------------------|
| Box Colour: | Polybagged With End Caps |
| Box Qty: | 1 |
| Label Size: | 300 x 35 |
| Label Colour: | White Label |
| Label Qty: | 1 |

Outer Box Dimensions (If Applicable)

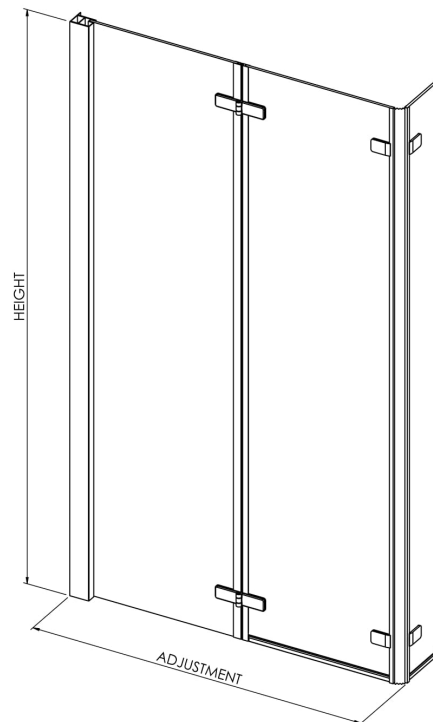
| | |
|--------------------|---------------|
| Length (mm): | |
| Width (mm): | |
| Height (mm): | |
| Gross Weight (kg): | |
| Barcode: | 5055369083596 |

Product Details

| | |
|----------------------------|-----------------|
| Country of Origin: | Turkey |
| Fitting Instruction: | No |
| Certification: | FSC: CE & UKCA: |
| Material Colour Reference: | European White |
| Product Material: | Acrylic |
| Material Thickness: | 2mm |
| Volume (Ltr): | N/A |
| Displaced Capacity: | N/A |
| Leg Set Included: | Not Applicable |
| Waste Included: | Not Applicable |
| Drilled/Undrilled: | Not Applicable |
| Includes Grips: | Not Applicable |
| Embossed: | Not Applicable |
| No of Tapholes: | Not Applicable |
| Anti-Slip: | Not Applicable |

Sales Code: NSBS3

Description: Sq Shower Ctr Hinged Screen & Return (6)



| CODE | GLASS THICKNESS (mm) | HEIGHT (mm) | MIN ADJUSTMENT (mm) | MAX ADJUSTMENT (mm) |
|-------|----------------------|-------------|---------------------|---------------------|
| NSBS3 | 6 | 1400 | 800 | 825 |

Product Dimensions

| | |
|-------------------|------|
| Height (mm): | 1400 |
| Width (mm): | 812 |
| Depth (mm): | 38 |
| Nett Weight (kg): | 24.5 |

Packaging Dimensions

| | |
|--------------------|------|
| Height (mm): | 60 |
| Width (mm): | 440 |
| Length (mm): | 146 |
| Gross Weight (kg): | 24.5 |

Packaging Data

| | |
|---------------|-------------------------------|
| Box Colour: | Brown Cardboard Box - Printed |
| Box Qty: | 1 |
| Label Size: | 140 x 40 |
| Label Colour: | Not Applicable |
| Label Qty: | 0 |

Outer Box Dimensions (If Applicable)

| | |
|--------------------|---------------|
| Height (mm): | |
| Width (mm): | |
| Depth (mm): | |
| Length (mm): | |
| Gross Weight (kg): | |
| Barcode: | 5055369043866 |

Product Details

| | |
|-----------------------|--------------------------|
| Country of Origin: | China |
| Fitting Instruction: | No |
| CE & UKCA: | Yes |
| Profile Material: | Aluminium |
| Profile Finish: | Chrome |
| Adjustments (mm): | 800mm - 810mm |
| Entry Width (mm): | N/A |
| Swing In Dim (mm): | 400mm |
| Swing Out Dim (mm): | 400mm |
| Radius (mm): | Not Applicable |
| Glass Thickness (mm): | 6 |
| Easy Fit: | No |
| Easy Clean: | No |
| Handle Style: | Not Applicable |
| Handle Material: | Not Applicable |
| Enclosure Design: | Frameless |
| Wheel Type: | Not Applicable |
| Support Bar Included: | Support Bar Not Included |
| Extras: | None |