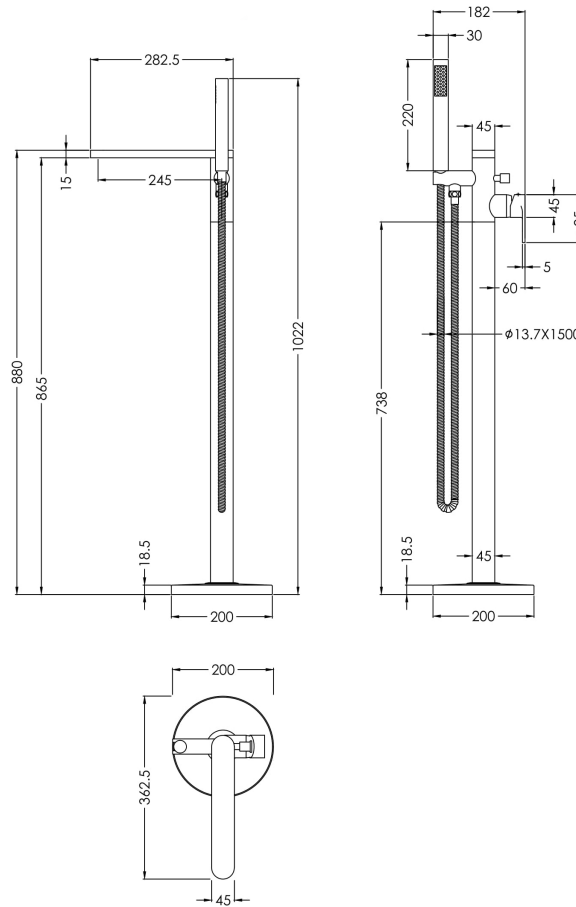


Sales Code: BIN421

Description: Binsey Freestanding Bsm



**Product Dimensions**

|                   |      |
|-------------------|------|
| Height (mm):      | 880  |
| Width (mm):       | 200  |
| Depth (mm):       | 360  |
| Length (mm):      |      |
| Nett Weight (kg): | 6.17 |

**Packaging Dimensions**

|                    |      |
|--------------------|------|
| Height (mm):       | 250  |
| Width (mm):        | 400  |
| Depth (mm):        | 980  |
| Gross Weight (kg): | 6.17 |

**Packaging Data**

|               |                     |
|---------------|---------------------|
| Box Colour:   | White Cardboard Box |
| Box Qty:      | 1                   |
| Label Size:   | 100 x 50            |
| Label Colour: | White Label         |
| Label Qty:    | 1                   |

**Outer Box Dimensions (If Applicable)**

|                    |               |
|--------------------|---------------|
| Height (mm):       | 250           |
| Width (mm):        | 400           |
| Depth (mm):        | 980           |
| Length (mm):       |               |
| Gross Weight (kg): |               |
| Barcode:           | 5056678476789 |

**Product Details**

|                                       |  |
|---------------------------------------|--|
| Country of Origin:                    | China  |
| Fitting Instruction:                  | No   |
| Product Material:                     | Brass/ABS  |
| Control Type:                         | Manual   |
| Waste Included:                       | Waste Not Included                                   |
| Waste Type:                           | Not Applicable                                       |
| WRAS Approval: Yes                    | Approval No: 250702036                               |
| Valve/Cartridge Type:                 | Single Lever Cartridge                               |
| Colour/Finish:                        | Matt Black   |
| Mount Type:                           | Floor Standing                                       |
| Operating Pressure (bar):             | 3  |
| Flow Rates: (Litres Per Min) 0.1 bar: | N/A 0.5 bar: N/A 1 bar: 11.3 2 bar: 16.6 3 bar: 20.5 |
| Pipe Size:                            | 1/2"   |
| Pipe Centres:                         | N/A  |