

Sales Code: Cezfr002

Description: Freya W/H Pan Sc Seat & Conc Cistern

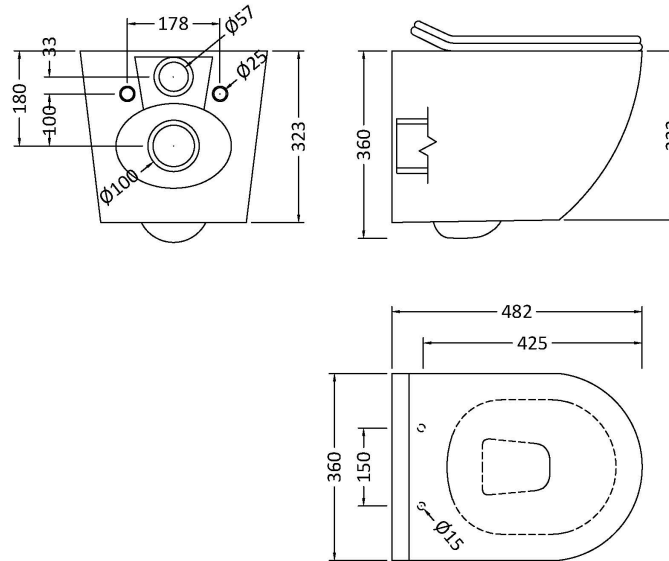
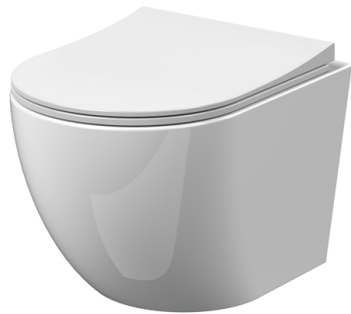


Packaging Details

Barcode: 5056678431566

Sales Code: NCG340

Description: Freya Rimless Wall Hung Pan & Sc Seat



Product Dimensions

Height (mm):	323
Width (mm):	360
Depth (mm):	482
Nett Weight (kg):	32

Packaging Dimensions

Height (mm):	400
Width (mm):	430
Depth (mm):	422
Gross Weight (kg):	36

Packaging Data

Box Colour:	Brown Cardboard Box - Printed
Box Qty:	1
Label Size:	100 x 50
Label Colour:	Not Applicable
Label Qty:	2

Outer Box Dimensions (If Applicable)

Height (mm):	
Width (mm):	
Depth (mm):	
Gross Weight (kg):	
Barcode:	5056462623221

Product Details

Country of Origin:	China
Fitting Instruction:	No
Certification: CE & UKCA:	WRAS: N/A WRAS No: N/A
Product Material:	Vitreous China
Fixing Supplied:	No

Pans/Bidets:	Trap Style:	Includes Seat: Yes
---------------------	-------------	--------------------

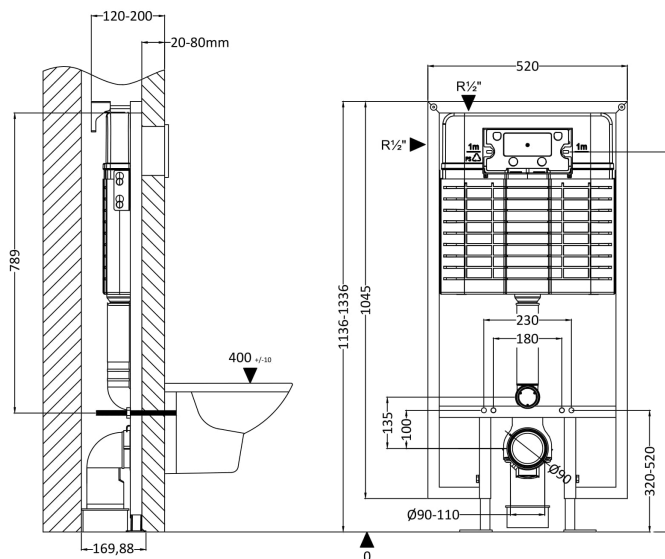
Seats:	Seat Type: N/A	Material: Urea
	Function: Soft Close	Hinge Type: Top Fix, Quick Release
	Hinge Material: Stainless Steel	

Cisterns:	Operating Type: Not Applicable	Fittings: Not Applicable
	Lever Type: Not Applicable	

Basins:	Tap Hole: Not Applicable	Chain Stay Hole: Not Applicable
	Template: Not Applicable	Waste Type Req: Not Applicable
	Overflow Inc: Not Applicable	Overflow Cover: Not Applicable
	Inner Bowl Depth (mm): N/A	

Sales Code: XTY009

Description: Dual Flush Concealed Cistern With Frame



Product Dimensions

Length (mm):	
Width (mm):	520
Height (mm):	1136
Depth (mm):	204
Nett Weight (kg):	11.17

Packaging Dimensions

Height (mm):	160
Width (mm):	560
Depth (mm):	1125
Gross Weight (kg):	11.17

Packaging Data

Box Colour:	Brown Cardboard Box
Box Qty:	1
Label Size:	100 x 50
Label Colour:	White Label
Label Qty:	2

Outer Box Dimensions (If Applicable)

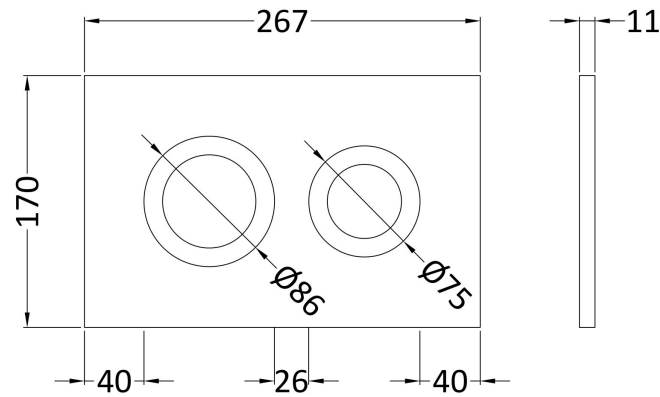
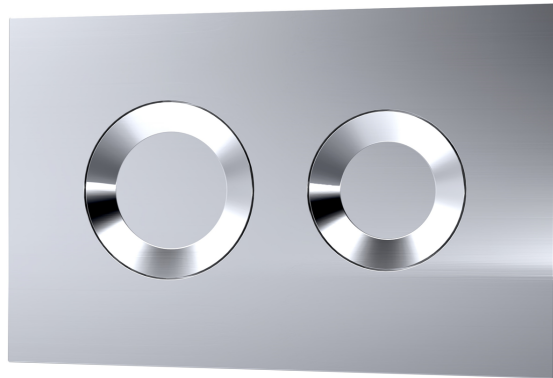
Height (mm):	
Width (mm):	
Length (mm):	
Depth (mm):	
Gross Weight (kg):	0
Barcode:	5056211854319

Product Details

Country of Origin:	China
Fitting Instruction:	No
CE & UKCA:	Yes
Product Material:	Stainless Steel
Heating Element Wattage:	Not Applicable
Colour/Finish:	Chrome
Product Diameter:	Not Applicable
Connection Size:	

Sales Code: XTY009PR

Description: Round Dual Flush Push Button



Product Dimensions

Length (mm):	
Width (mm):	267
Height (mm):	170
Depth (mm):	11
Nett Weight (kg):	0.5

Packaging Dimensions

Height (mm):	290
Width (mm):	220
Depth (mm):	50
Gross Weight (kg):	0.5

Packaging Data

Box Colour:	Brown Cardboard Box
Box Qty:	1
Label Size:	100 x 50
Label Colour:	White Label
Label Qty:	2

Outer Box Dimensions (If Applicable)

Height (mm):	
Width (mm):	
Length (mm):	
Depth (mm):	
Gross Weight (kg):	0
Barcode:	5056211855279

Product Details

Country of Origin:	United Kingdom
Fitting Instruction:	No
CE & UKCA:	Yes
Product Material:	ABS
Heating Element Wattage:	Not Applicable
Colour/Finish:	Chrome
Product Diameter:	Not Applicable
Connection Size:	