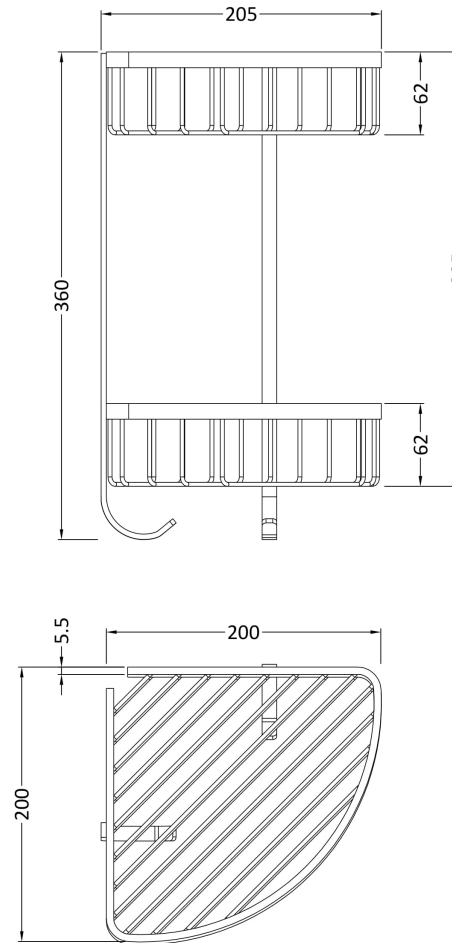


**Sales Code:** CMA055BC

**Description:** Victrion Double Corner Shower Basket



**Product Dimensions**

Length (mm):  
 Width (mm):  
 Height (mm):  
 Depth (mm):  
 Nett Weight (kg): 1.02

**Packaging Dimensions**

Height (mm): 265  
 Width (mm): 160  
 Depth (mm): 140  
 Gross Weight (kg): 1.02

**Packaging Data**

Box Colour:  
 Box Qty:  
 Label Size: x  
 Label Colour:  
 Label Qty:

**Outer Box Dimensions (If Applicable)**

Height (mm):  
 Width (mm):  
 Length (mm):  
 Depth (mm):  
 Gross Weight (kg):  
 Barcode: 5056462642970

**Product Details**

Country of Origin: United Kingdom  
 Fitting Instruction: No  
 CE & UKCA:  
 Product Material:  
 Heating Element Wattage:  
 Colour/Finish:  
 Product Diameter:  
 Connection Size: