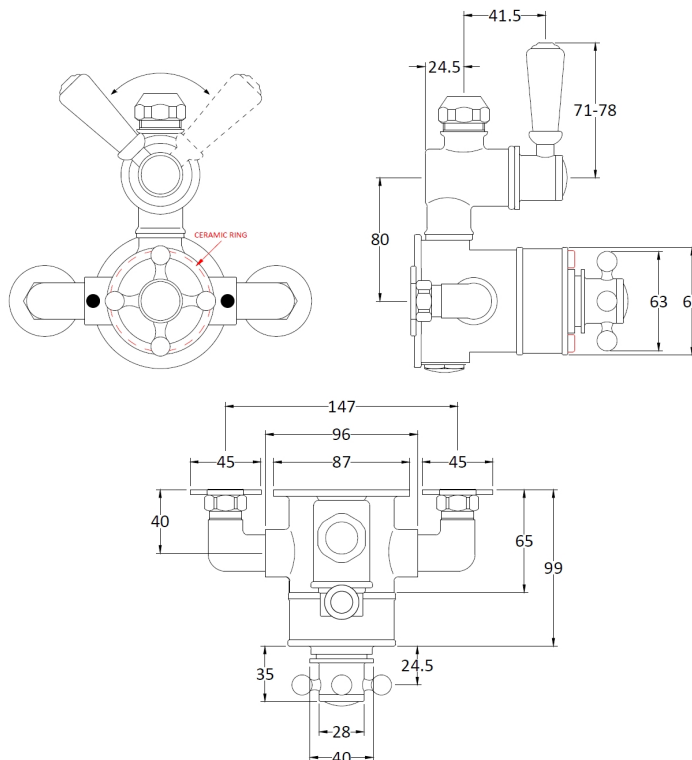


Sales Code: CSA025N

Description: Victrion Twin Exposed Valve



### Product Dimensions

Length (mm):	
Width (mm):	195
Height (mm):	206
Depth (mm):	135
Nett Weight (kg):	3

### Packaging Dimensions

Length (mm):	245
Width (mm):	215
Height (mm):	170
Gross Weight (kg):	3

### Packaging Data

Box Colour:	White Cardboard Box
Box Qty:	1
Label Size:	100 x 50
Label Colour:	White Label
Label Qty:	1

### Outer Box Dimensions (If Applicable)

Length (mm):	
Width (mm):	440
Height (mm):	480
Depth (mm):	520
Gross Weight (kg):	
Barcode:	5056462639734

### Product Details

Country of Origin:	United Kingdom
Fitting Instruction:	No
Product Material:	Brass
Mount Type:	Wall
Outlet Elbow Supplied:	Not Applicable
Easy Clean:	Not Applicable
Head Included:	No
Handset Included:	No
Body Jets Included:	Not Applicable
No of Body Jets:	Not Applicable
Operating Pressure (bar):	0.1
Valve/Cartridge Type:	1/4 Turn Ceramic Disc
Flow Rates (L/min):	0.1 bar: 4.5   0.5 bar: 13   1 bar: 18.5   2 bar: 26   3 bar: 33
TMV2 Approved:	No   Approval No: N/A
TMV3 Approved:	No   Approval No: N/A
WRAS Approved:	No   Approval No: N/A
Head Function:	Not Applicable
Handset Function:	Not Applicable
Body Jet Info:	Not Applicable
Pipe Size:	15 mm
Pipe Centres:	150mm
Colour/Finish:	Nickel
Hose Included:	Not Applicable
No. of Outlets:	1