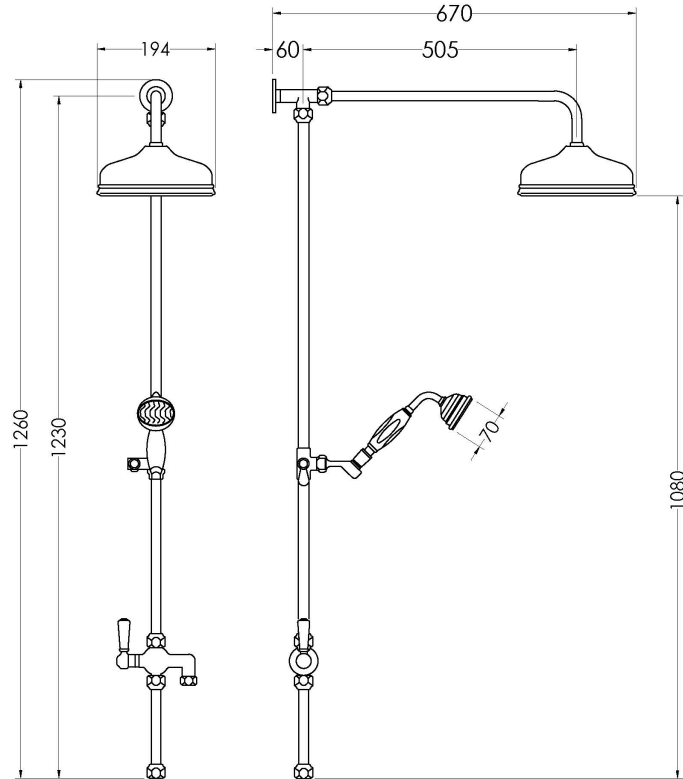


Sales Code: CSB120BG

Description: Victrion Superbe Rigid Riser Kit



Product Dimensions

Length (mm):	
Width (mm):	
Height (mm):	
Depth (mm):	
Nett Weight (kg):	4.7

Packaging Dimensions

Length (mm):	1100
Width (mm):	240
Height (mm):	110
Gross Weight (kg):	5.2

Packaging Data

Box Colour:	
Box Qty:	
Label Size:	x
Label Colour:	
Label Qty:	

Outer Box Dimensions (If Applicable)

Length (mm):	
Width (mm):	
Height (mm):	
Depth (mm):	
Gross Weight (kg):	
Barcode:	5056462640013

Product Details

Country of Origin:	United Kingdom
Fitting Instruction:	No
Product Material:	

Mount Type:

Outlet Elbow Supplied:

Easy Clean:

Head Included:

Handset Included:

Body Jets Included:

No of Body Jets:

Operating Pressure (bar):

Valve/Cartridge Type:

Flow Rates (L/min): 0.1 bar: 0.5 bar: 1 bar: 2 bar: 3 bar:

TMV2 Approved: Approval No:

TMV3 Approved: Approval No:

WRAS Approved: Approval No:

Head Function:

Handset Function:

Body Jet Info:

Pipe Size:

Pipe Centres:

Colour/Finish:

Hose Included:

No. of Outlets: