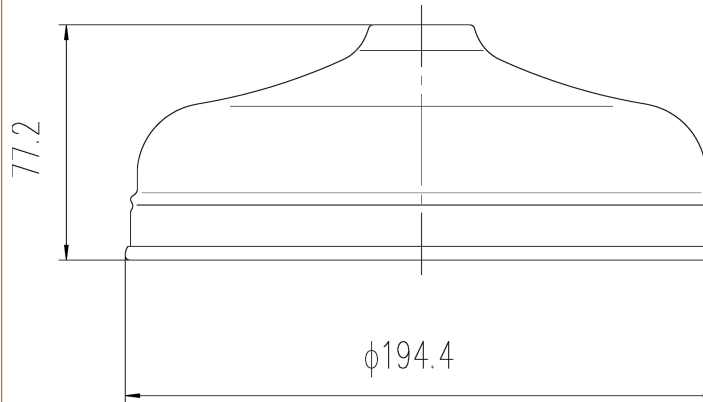


Sales Code: CSC210BC

Description: Victrion 12" Shower Head



Product Dimensions

| | |
|-------------------|-----|
| Length (mm): | |
| Width (mm): | |
| Height (mm): | |
| Depth (mm): | |
| Nett Weight (kg): | 1.8 |

Packaging Dimensions

| | |
|--------------------|------|
| Length (mm): | 320 |
| Width (mm): | 130 |
| Height (mm): | 320 |
| Gross Weight (kg): | 2.07 |

Packaging Data

| | |
|---------------|---|
| Box Colour: | |
| Box Qty: | |
| Label Size: | x |
| Label Colour: | |
| Label Qty: | |

Outer Box Dimensions (If Applicable)

| | |
|--------------------|---------------|
| Length (mm): | |
| Width (mm): | |
| Height (mm): | |
| Depth (mm): | |
| Gross Weight (kg): | |
| Barcode: | 5056462640150 |

Product Details

| | | | | | |
|---------------------------|----------------|----------|--------|--------|--------|
| Country of Origin: | United Kingdom | | | | |
| Fitting Instruction: | No | | | | |
| Product Material: | | | | | |
| Mount Type: | | | | | |
| Outlet Elbow Supplied: | | | | | |
| Easy Clean: | | | | | |
| Head Included: | | | | | |
| Handset Included: | | | | | |
| Body Jets Included: | | | | | |
| No of Body Jets: | | | | | |
| Operating Pressure (bar): | | | | | |
| Valve/Cartridge Type: | | | | | |
| Flow Rates (L/min): | 0.1 bar: | 0.5 bar: | 1 bar: | 2 bar: | 3 bar: |
| TMV2 Approved: | Approval No: | | | | |
| TMV3 Approved: | Approval No: | | | | |
| WRAS Approved: | Approval No: | | | | |
| Head Function: | | | | | |
| Handset Function: | | | | | |
| Body Jet Info: | | | | | |
| Pipe Size: | | | | | |
| Pipe Centres: | | | | | |
| Colour/Finish: | | | | | |
| Hose Included: | | | | | |
| No. of Outlets: | | | | | |