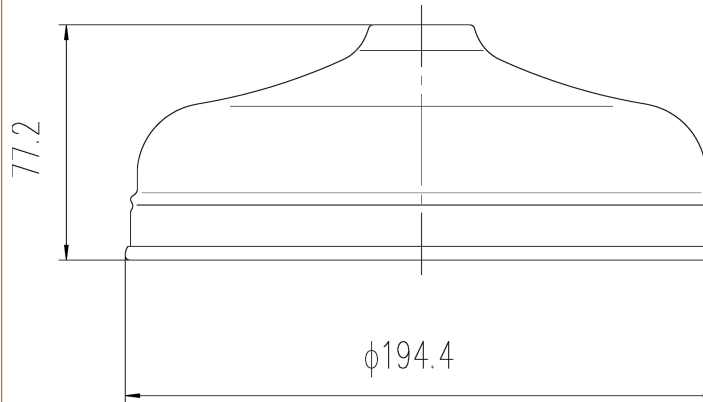


Sales Code: CSC210G

Description: Victrion 12" Shower Head



Product Dimensions

Length (mm):	
Width (mm):	
Height (mm):	
Depth (mm):	
Nett Weight (kg):	1.8

Packaging Dimensions

Length (mm):	320
Width (mm):	130
Height (mm):	320
Gross Weight (kg):	2.07

Packaging Data

Box Colour:	
Box Qty:	
Label Size:	x
Label Colour:	
Label Qty:	

Outer Box Dimensions (If Applicable)

Length (mm):	
Width (mm):	
Height (mm):	
Depth (mm):	
Gross Weight (kg):	
Barcode:	5056462640167

Product Details

Country of Origin:	United Kingdom				
Fitting Instruction:	No				
Product Material:					
Mount Type:					
Outlet Elbow Supplied:					
Easy Clean:					
Head Included:					
Handset Included:					
Body Jets Included:					
No of Body Jets:					
Operating Pressure (bar):					
Valve/Cartridge Type:					
Flow Rates (L/min):	0.1 bar:	0.5 bar:	1 bar:	2 bar:	3 bar:
TMV2 Approved:	Approval No:				
TMV3 Approved:	Approval No:				
WRAS Approved:	Approval No:				
Head Function:					
Handset Function:					
Body Jet Info:					
Pipe Size:					
Pipe Centres:					
Colour/Finish:					
Hose Included:					
No. of Outlets:					