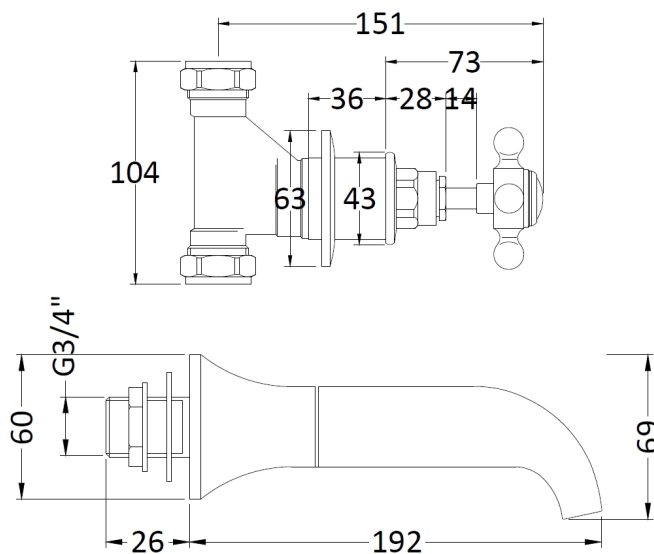


Sales Code: CTA030G

Description: Victrion Crosshead 3Th Wall Bath Filler



Product Dimensions

Height (mm):	69
Width (mm):	0
Depth (mm):	218
Length (mm):	
Nett Weight (kg):	2.3

Packaging Dimensions

Height (mm):	85
Width (mm):	185
Depth (mm):	270
Gross Weight (kg):	2.5

Packaging Data

Box Colour:	White Cardboard Box
Box Qty:	1
Label Size:	100 x 50
Label Colour:	White Label
Label Qty:	1

Outer Box Dimensions (If Applicable)

Height (mm):	400
Width (mm):	280
Depth (mm):	560
Length (mm):	
Gross Weight (kg):	0
Barcode:	5056462641225

Product Details

Country of Origin:	United Kingdom
Fitting Instruction:	No
Product Material:	Brass
Control Type:	Manual
Waste Included:	Waste Not Included
Waste Type:	Not Applicable
WRAS Approval:	No
Approval No:	N/A
Valve/Cartridge Type:	1/4 Turn Ceramic Disc
Colour/Finish:	Gold
Mount Type:	Wall
Operating Pressure (bar):	0.1

Flow Rates: (Litres Per Min)	0.1 bar: 9.6	0.5 bar: 20	1 bar: 28	2 bar: 39.5	3 bar: 46.8
Pipe Size:	22 mm (3/4" Bsp)				
Pipe Centres:	N/A				