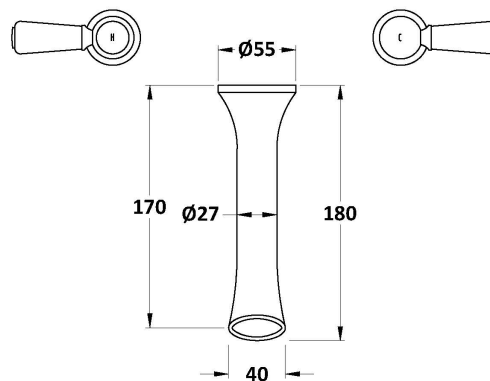
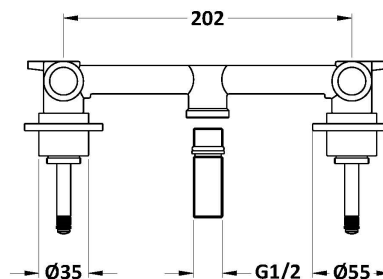
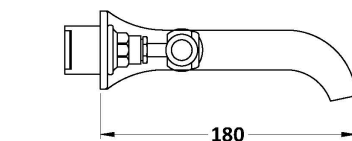


Sales Code: CTB031N

Description: Victrion Lever 3Th Wall Basin Filler



### Product Dimensions

Height (mm):	55
Width (mm):	0
Depth (mm):	180
Length (mm):	
Nett Weight (kg):	1.8

### Packaging Dimensions

Height (mm):	65
Width (mm):	350
Depth (mm):	213
Gross Weight (kg):	2

### Packaging Data

Box Colour:	White Cardboard Box
Box Qty:	1
Label Size:	100 x 50
Label Colour:	White Label
Label Qty:	1

### Outer Box Dimensions (If Applicable)

Height (mm):	0
Width (mm):	0
Depth (mm):	0
Length (mm):	
Gross Weight (kg):	0
Barcode:	5056462641911

### Product Details

Country of Origin:	China
Fitting Instruction:	No
Product Material:	Brass
Control Type:	Manual
Waste Included:	Waste Not Included
Waste Type:	Not Applicable
WRAS Approval:	No
Approval No:	N/A
Valve/Cartridge Type:	1/4 Turn Ceramic Disc
Colour/Finish:	Nickel
Mount Type:	Wall
Operating Pressure (bar):	0.1

Flow Rates: (Litres Per Min)	0.1 bar: 8	0.5 bar: 19,3	1 bar: 27,5	2 bar: 39,4	3 bar: 47,8
Pipe Size:	15 mm				
Pipe Centres:	N/A				