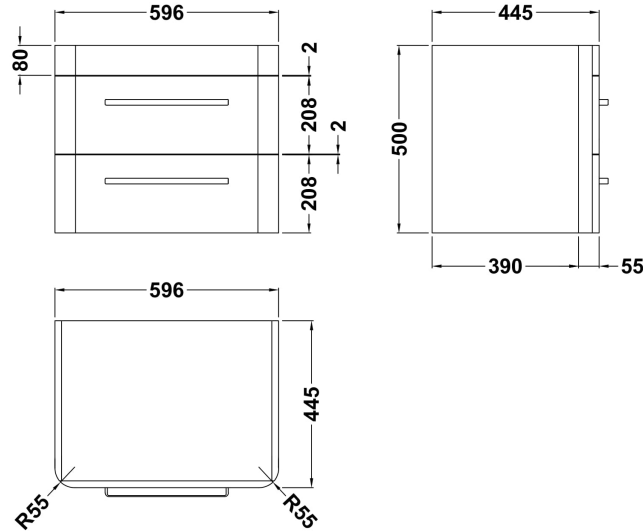


Sales Code: CUR393

Description: 600 W/H 2-Drawer Unit 500 X 596 X 447



### Product Dimensions

Height (mm):	500
Width (mm):	596
Depth (mm):	445
Nett Weight (kg):	20.5

### Packaging Dimensions

Height (mm):	570
Width (mm):	670
Depth (mm):	510
Gross Weight (kg):	22.5

### Packaging Data

Box Colour:	Brown Cardboard Box
Box Qty:	1
Label Size:	150 x 100
Label Colour:	White Label
Label Qty:	2

### Outer Box Dimensions (If Applicable)

Height (mm):	
Width (mm):	
Depth (mm):	
Gross Weight (kg):	
Barcode:	5056211817864

### Product Details

Country of Origin:	Ireland
Fitting Instruction:	No
CE & UKCA:	
FSC Certified Materials:	Yes
Colour:	Indigo Blue
Construction Method:	Cam & Wood Dowel
Construction Type:	Rigid
Cabinet Finish:	Mdf Vinyl Smooth Matt
Fascia Finish:	Mdf Vinyl Smooth Matt
Cabinet Thickness (mm):	18
Fascia Thickness (mm):	18
Drawer Included:	Yes
Drawer Type:	80mm High Metal S/C Inc Galler
No of Shelves:	0
Hinge Type:	Not Applicable
Hinge Included:	Not Applicable
Adjustable Legs:	Not Applicable
Fixings Included:	Yes
Handle Style:	Modern
Waste Shroud:	Yes
Handle Included:	Yes
Handle Type:	D-Shape