

Sales Code: ENZRE026

Description: 1200X800 Chrome Offset Quadtraykit Lh

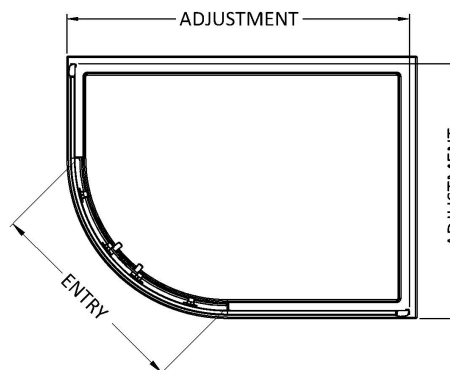
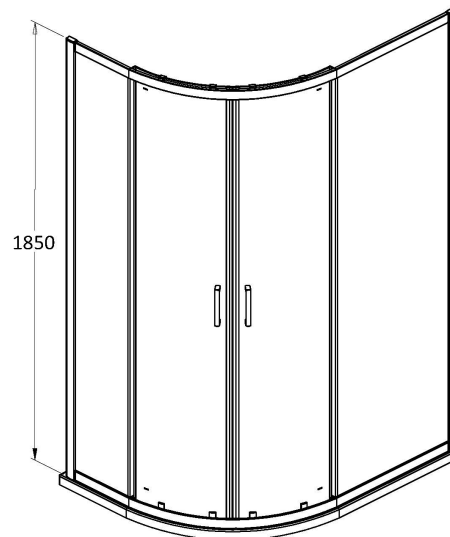


Packaging Details

Barcode: 5056678409640

Sales Code: SQU128

Description: 1200X800x1850mm Offset Quad Enclosure



Product Dimensions

| | |
|-------------------|------|
| Height (mm): | 1850 |
| Width (mm): | 1180 |
| Depth (mm): | 780 |
| Nett Weight (kg): | 46.8 |

Packaging Dimensions

| | |
|--------------------|------|
| Height (mm): | 1910 |
| Width (mm): | 635 |
| Length (mm): | 110 |
| Gross Weight (kg): | 51.8 |

Packaging Data

| | |
|---------------|-------------------------------|
| Box Colour: | Brown Cardboard Box - Printed |
| Box Qty: | 1 |
| Label Size: | 100 x 50 |
| Label Colour: | Not Applicable |
| Label Qty: | 0 |

Outer Box Dimensions (If Applicable)

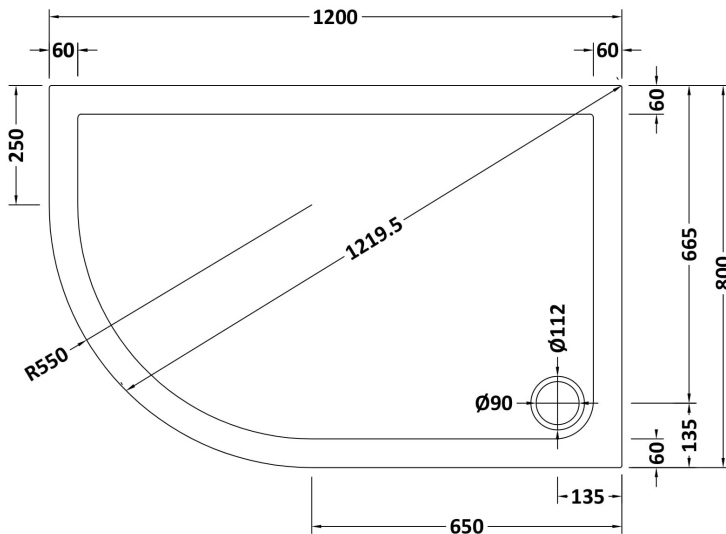
| | |
|--------------------|---------------|
| Height (mm): | |
| Width (mm): | |
| Depth (mm): | |
| Length (mm): | |
| Gross Weight (kg): | |
| Barcode: | 5056211821878 |

Product Details

| | |
|-----------------------|-----------------------------|
| Country of Origin: | China |
| Fitting Instruction: | No |
| CE & UKCA: | No |
| Profile Material: | Aluminium |
| Profile Finish: | Chrome |
| Adjustments (mm): | 1175 - 1195mm / 775 - 795mm |
| Entry Width (mm): | 480mm |
| Swing In Dim (mm): | N/A |
| Swing Out Dim (mm): | N/A |
| Radius (mm): | 538 mm |
| Glass Thickness (mm): | 6 |
| Easy Fit: | Yes |
| Easy Clean: | No |
| Handle Style: | Square T Shape Handle |
| Handle Material: | ABS |
| Enclosure Design: | Framed |
| Wheel Type: | Dual, Quick Release |
| Support Bar Included: | Support Bar Not Included |
| Extras: | None |

Sales Code: NTP112

Description: Offset Quad Tray Lh 1200 X 800



Product Dimensions

| | |
|-------------------|------|
| Length (mm): | 1200 |
| Width (mm): | 800 |
| Height (mm): | 40 |
| Nett Weight (kg): | 26.5 |

Packaging Dimensions

| | |
|--------------------|------|
| Length (mm): | 1240 |
| Width (mm): | 840 |
| Height (mm): | 80 |
| Gross Weight (kg): | 26.8 |

Packaging Data

| | |
|---------------|--------------------------|
| Box Colour: | Shrinkwrap & Polystyrene |
| Box Qty: | 1 |
| Label Size: | 100 x 50 |
| Label Colour: | White Label |
| Label Qty: | 2 |

Outer Box Dimensions (If Applicable)

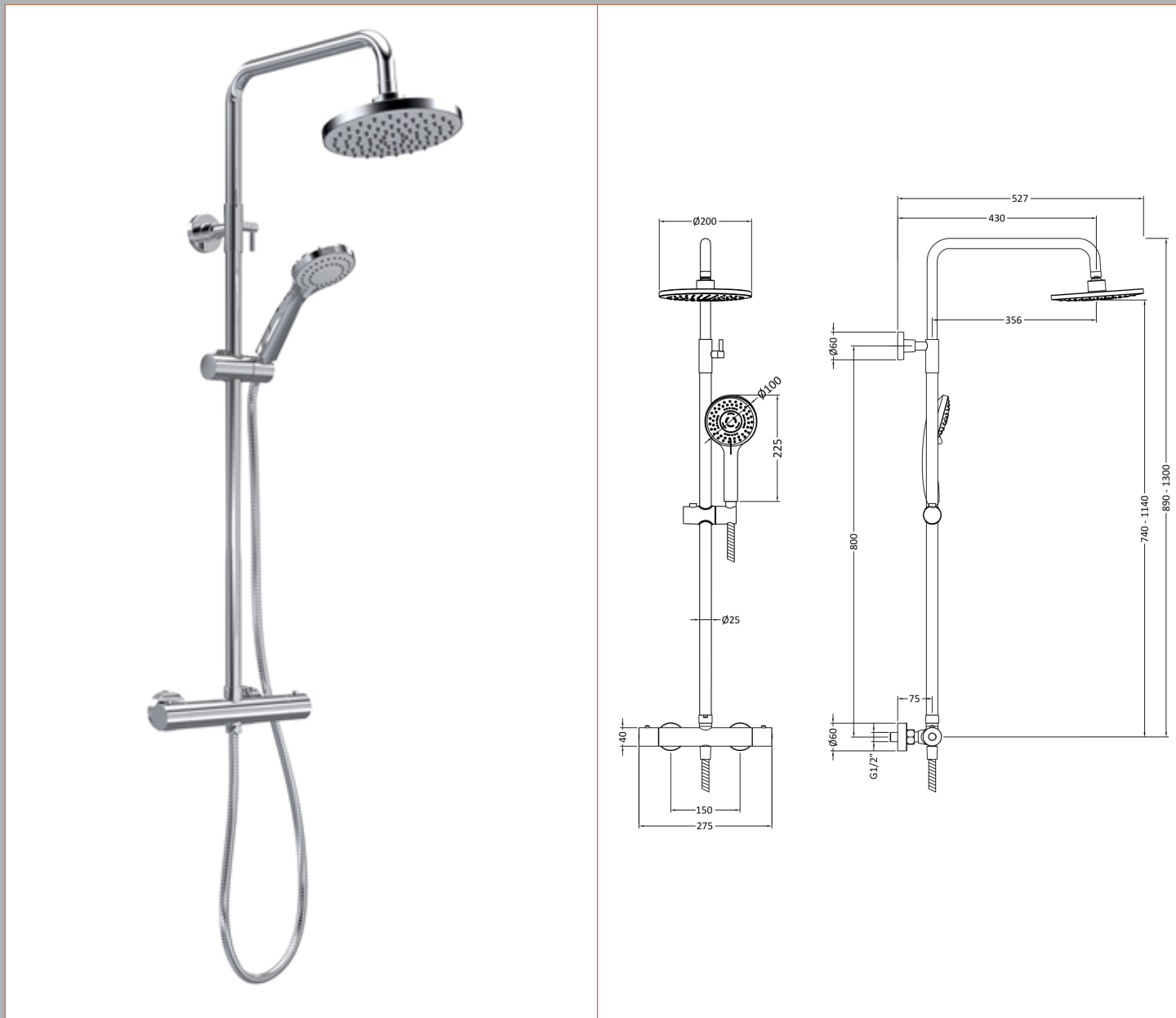
| | |
|--------------------|---------------|
| Length (mm): | |
| Width (mm): | |
| Height (mm): | |
| Gross Weight (kg): | |
| Barcode: | 5055369006151 |

Product Details

| | |
|----------------------------|-------------------------------|
| Country of Origin: | United Kingdom |
| Fitting Instruction: | No |
| CE & UKCA: | Yes |
| Colour/Finish: | White |
| Product Material: | Acrylic Capped ABS Caco3 & Pu |
| Material Colour Reference: | European White |
| Radius: | 550 |
| Waste Required (mm): | 90 |
| Compatible with Leg Kit: | Yes |

Sales Code: JTY375

Description: Round Thermostatic Bar Valve & Kit



Product Dimensions

| | |
|-------------------|------|
| Length (mm): | |
| Width (mm): | 267 |
| Height (mm): | 1245 |
| Depth (mm): | 429 |
| Nett Weight (kg): | 3.98 |

Packaging Dimensions

| | |
|--------------------|------|
| Length (mm): | 880 |
| Width (mm): | 410 |
| Height (mm): | 85 |
| Gross Weight (kg): | 3.98 |

Packaging Data

| | |
|---------------|---------------------|
| Box Colour: | White Cardboard Box |
| Box Qty: | 1 |
| Label Size: | 100 x 50 |
| Label Colour: | White Label |
| Label Qty: | 2 |

Outer Box Dimensions (If Applicable)

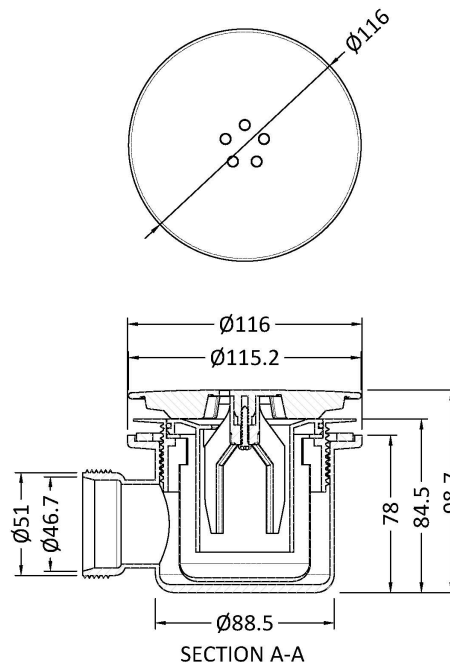
| | |
|--------------------|---------------|
| Length (mm): | |
| Width (mm): | 780 |
| Height (mm): | 570 |
| Depth (mm): | 450 |
| Gross Weight (kg): | 26 |
| Barcode: | 5055369026869 |

Product Details

| | |
|---------------------------|--|
| Country of Origin: | United Kingdom |
| Fitting Instruction: | No |
| Product Material: | Brass/ABS |
| Mount Type: | Surface, Wall |
| Outlet Elbow Supplied: | No |
| Easy Clean: | Yes |
| Head Included: | Yes |
| Handset Included: | Yes |
| Body Jets Included: | No |
| No of Body Jets: | Not Applicable |
| Operating Pressure (bar): | 1 |
| Valve/Cartridge Type: | 1/4 Turn Ceramic Disc |
| Flow Rates (L/min): | 0.1 bar: N/A 0.5 bar: 5 1 bar: 7.5 2 bar: 11 3 bar: 14 |
| TMV2 Approved: | No Approval No: N/A |
| TMV3 Approved: | No Approval No: N/A |
| WRAS Approved: | Yes Approval No: 2307019 |
| Head Function: | Single |
| Handset Function: | Multiple Settings |
| Body Jet Info: | Not Applicable |
| Pipe Size: | 15 mm (1/2" Bsp) |
| Pipe Centres: | 150 mm |
| Colour/Finish: | Chrome |
| Hose Included: | Yes |
| No. of Outlets: | 2 |

Sales Code: STW001

Description: Mega Flow Shower Waste & Knuckle



Product Dimensions

| | |
|-------------------|------|
| Length (mm): | |
| Width (mm): | 116 |
| Height (mm): | 99 |
| Depth (mm): | 116 |
| Nett Weight (kg): | 0.31 |

Packaging Dimensions

| | |
|--------------------|------|
| Height (mm): | 170 |
| Width (mm): | 135 |
| Depth (mm): | 100 |
| Gross Weight (kg): | 0.37 |

Packaging Data

| | |
|---------------|---------------------|
| Box Colour: | Brown Cardboard Box |
| Box Qty: | 1 |
| Label Size: | 100 x 50 |
| Label Colour: | White Label |
| Label Qty: | 2 |

Outer Box Dimensions (If Applicable)

| | |
|--------------------|---------------|
| Height (mm): | 560 |
| Width (mm): | 360 |
| Length (mm): | |
| Depth (mm): | |
| Gross Weight (kg): | 14 |
| Barcode: | 5055369011629 |

Product Details

| | |
|--------------------------|----------------|
| Country of Origin: | China |
| Fitting Instruction: | No |
| CE & UKCA: | N/A |
| Product Material: | Pp |
| Heating Element Wattage: | Not Applicable |
| Colour/Finish: | Chrome |
| Product Diameter: | 115mm |
| Connection Size: | 1 1/2" |