

Sales Code: FUZDE002

Description: Wh 400 Satin Grey Unit Wc & Tap

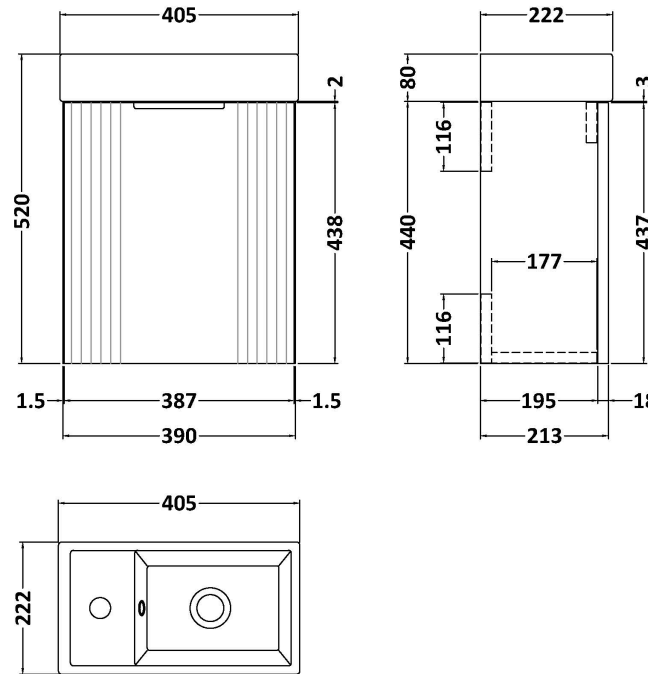


Packaging Details

Barcode: 5056678405208

Sales Code: FLT290

Description: 400 W/H Single Door Unit Inc Basin



Product Dimensions

Height (mm):	438
Width (mm):	400
Depth (mm):	222
Nett Weight (kg):	13.2

Packaging Dimensions

Height (mm):	465
Width (mm):	245
Depth (mm):	410
Gross Weight (kg):	13.2

Packaging Data

Box Colour:	Brown Cardboard Box - Printed
Box Qty:	1
Label Size:	100 x 50
Label Colour:	Not Applicable
Label Qty:	0

Outer Box Dimensions (If Applicable)

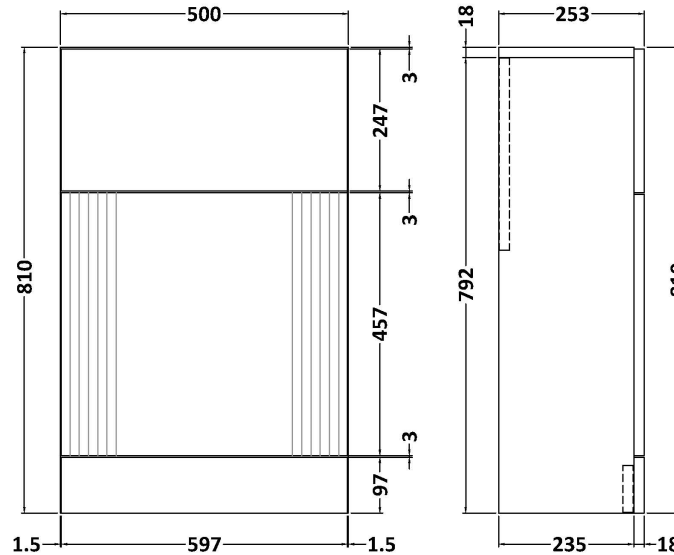
Height (mm):	
Width (mm):	
Depth (mm):	
Gross Weight (kg):	
Barcode:	5056462643038

Product Details

Country of Origin:	China
Fitting Instruction:	No
CE & UKCA:	No
FSC Certified Materials:	Yes
Colour:	Satin Grey
Construction Method:	Cam & Wood Dowel
Construction Type:	Rigid
Cabinet Finish:	MFC Painted Matt
Fascia Finish:	MFC Painted Matt
Cabinet Thickness (mm):	16
Fascia Thickness (mm):	18
Drawer Included:	No
Drawer Type:	Not Applicable
No of Shelves:	0
Hinge Type:	95 Degree Clip-On Soft Close
Hinge Included:	Yes
Adjustable Legs:	No
Fixings Included:	Yes
Handle Style:	Modern
Waste Shroud:	No
Handle Included:	Yes
Handle Type:	Finger Pull

Sales Code: FLT241

Description: 500 Wc Unit



Product Dimensions

Height (mm):	810
Width (mm):	500
Depth (mm):	253
Nett Weight (kg):	18.5

Packaging Dimensions

Height (mm):	830
Width (mm):	620
Depth (mm):	275
Gross Weight (kg):	19

Packaging Data

Box Colour:	Brown Cardboard Box - Printed
Box Qty:	0
Label Size:	0 x 0
Label Colour:	Not Applicable
Label Qty:	0

Outer Box Dimensions (If Applicable)

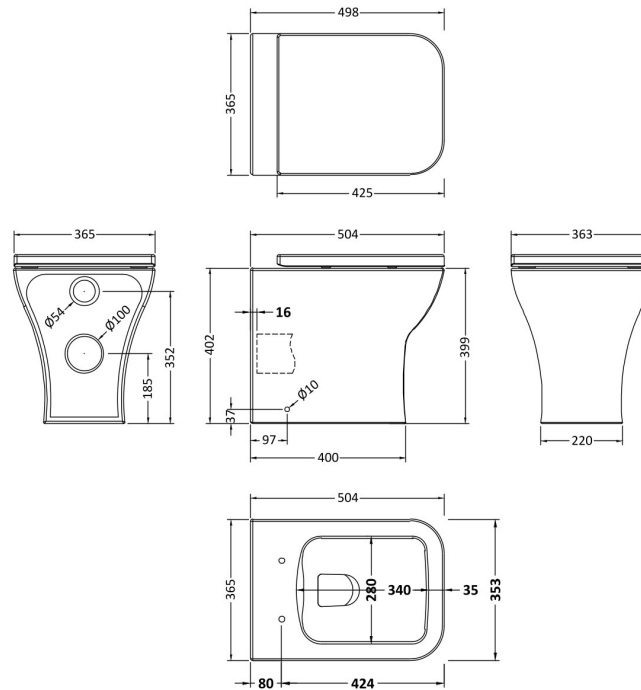
Height (mm):	
Width (mm):	
Depth (mm):	
Gross Weight (kg):	
Barcode:	5056462655611

Product Details

Country of Origin:	China
Fitting Instruction:	No
CE & UKCA:	
FSC Certified Materials:	Yes
Colour:	Satin Grey
Construction Method:	Cam & Wood Dowel
Construction Type:	Rigid
Cabinet Finish:	MFC Painted Gloss
Fascia Finish:	Mdf Painted Gloss
Cabinet Thickness (mm):	16
Fascia Thickness (mm):	18
Drawer Included:	No
Drawer Type:	Not Applicable
No of Shelves:	0
Hinge Type:	Not Applicable
Hinge Included:	No
Adjustable Legs:	No, Not Required
Fixings Included:	Yes
Handle Style:	Not Applicable
Waste Shroud:	Not Applicable
Handle Included:	No
Handle Type:	Not Applicable

Sales Code: NCG406

Description: Ava Rimless Btw Pan & Sc Seat



Product Dimensions

Height (mm):	410
Width (mm):	365
Depth (mm):	500
Nett Weight (kg):	22

Packaging Dimensions

Height (mm):	420
Width (mm):	395
Depth (mm):	540
Gross Weight (kg):	22.59

Packaging Data

Box Colour:	Brown Cardboard Box
Box Qty:	1
Label Size:	100 x 50
Label Colour:	White Label
Label Qty:	2

Outer Box Dimensions (If Applicable)

Height (mm):	
Width (mm):	
Depth (mm):	
Gross Weight (kg):	
Barcode:	5056211872023

Product Details

Country of Origin:	China
Fitting Instruction:	No
Certification: CE & UKCA:	No
WRAS:	N/A
WRAS No:	N/A
Product Material:	Vitreous China
Fixing Supplied:	No

Pans/Bidets: Trap Style: P Trap Includes Seat: Yes

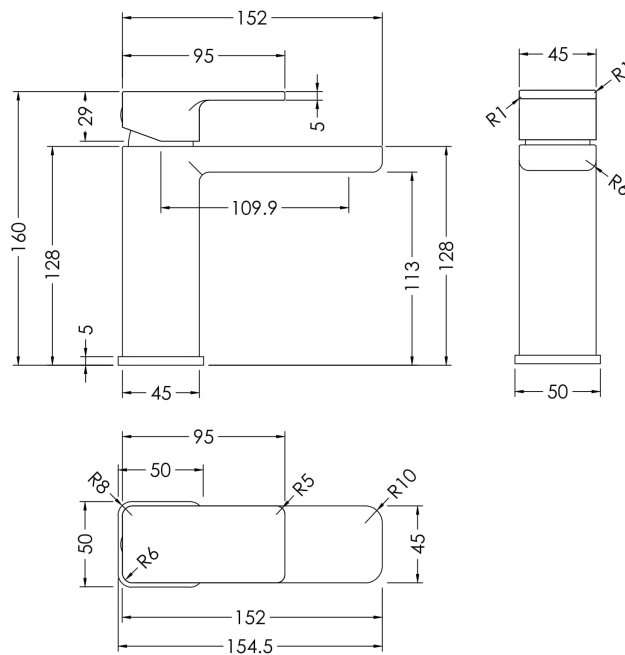
Seats: Seat Type: N/A Material: Polypropylene
 Function: Soft Close Hinge Type: Top Fix, Quick Release
 Hinge Material: Stainless Steel

Cisterns: Operating Type: Not Applicable Fittings: Not Applicable
 Lever Type: N/A

Basins: Tap Hole: Not Applicable Chain Stay Hole: Not Applicable
 Template: Not Applicable Waste Type Req: Not Applicable
 Overflow Inc: Not Applicable Overflow Cover: Not Applicable
 Inner Bowl Depth (mm): N/A

Sales Code: WIN305

Description: Windon Mono Basin Mixer P/B Waste



Product Dimensions

Height (mm):	160
Width (mm):	50
Depth (mm):	152
Length (mm):	
Nett Weight (kg):	2.08

Packaging Dimensions

Height (mm):	95
Width (mm):	240
Depth (mm):	285
Gross Weight (kg):	2.08

Packaging Data

Box Colour:	White Cardboard Box
Box Qty:	1
Label Size:	100 x 50
Label Colour:	White Label
Label Qty:	1

Outer Box Dimensions (If Applicable)

Height (mm):	500
Width (mm):	500
Depth (mm):	300
Length (mm):	
Gross Weight (kg):	
Barcode:	5056211898184

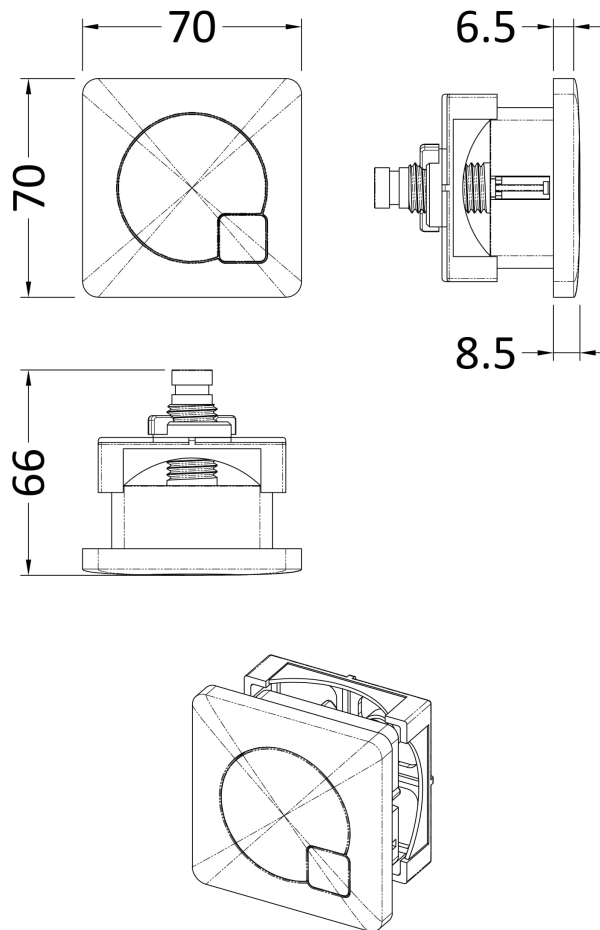
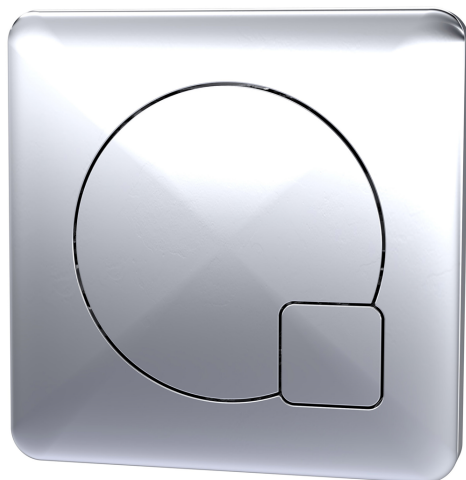
Product Details

Country of Origin:	China
Fitting Instruction:	No
Product Material:	Brass
Control Type:	Manual
Waste Included:	Waste Included
Waste Type:	Push Button
WRAS Approval: Yes	Approval No: 2204060
Valve/Cartridge Type:	Single Lever Cartridge
Colour/Finish:	Chrome
Mount Type:	Deck
Operating Pressure (bar):	0.2

Flow Rates: (Litres Per Min)	0.1 bar: 2.8	0.5 bar: 7.9	1 bar: 11.4	2 bar: 16.4	3 bar: 20.1
Pipe Size:	1/2"				
Pipe Centres:	N/A				

Sales Code: MDPB01

Description: Square Dual Flush Push Button



Product Dimensions

Length (mm):	
Width (mm):	70
Height (mm):	70
Depth (mm):	99
Nett Weight (kg):	0.2

Packaging Dimensions

Height (mm):	80
Width (mm):	155
Depth (mm):	80
Gross Weight (kg):	0.2

Packaging Data

Box Colour:	White Cardboard Box
Box Qty:	1
Label Size:	100 x 50
Label Colour:	White Label
Label Qty:	1

Outer Box Dimensions (If Applicable)

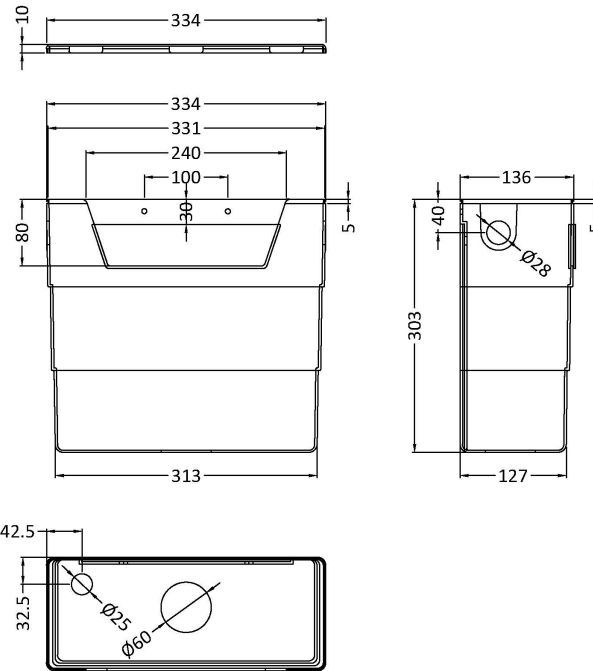
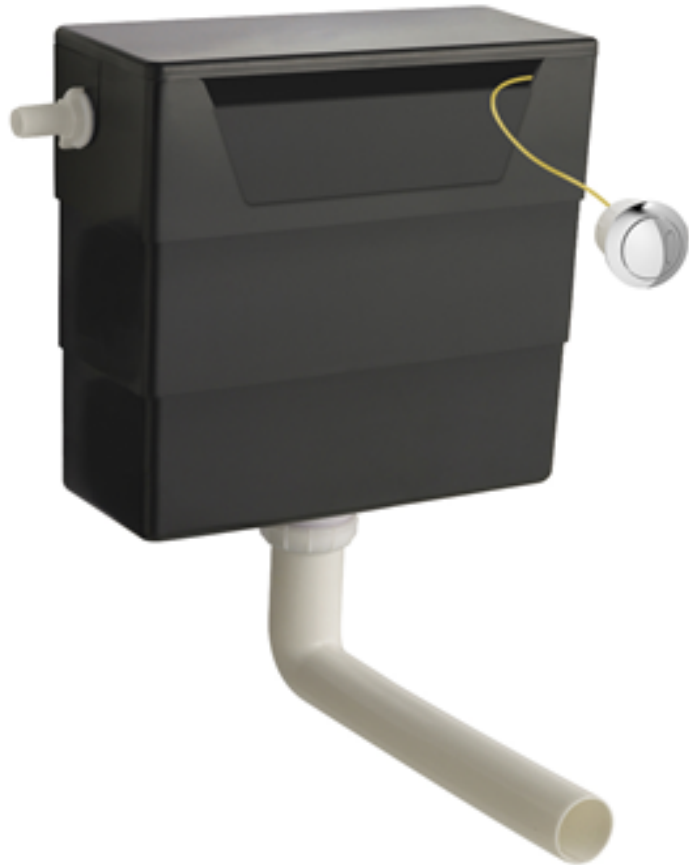
Height (mm):	
Width (mm):	
Length (mm):	
Depth (mm):	
Gross Weight (kg):	
Barcode:	5056211893141

Product Details

Country of Origin:	China
Fitting Instruction:	No
CE & UKCA:	
Product Material:	ABS
Heating Element Wattage:	Not Applicable
Colour/Finish:	Chrome
Product Diameter:	
Connection Size:	N/A

Sales Code: XTY006

Description: Cable Conc Universal Access Cistern



Product Dimensions

Length (mm):	
Width (mm):	303
Height (mm):	334
Depth (mm):	136
Nett Weight (kg):	2.23

Packaging Dimensions

Height (mm):	345
Width (mm):	145
Depth (mm):	320
Gross Weight (kg):	2.23

Packaging Data

Box Colour:	Brown Cardboard Box
Box Qty:	1
Label Size:	100 x 50
Label Colour:	White Label
Label Qty:	2

Outer Box Dimensions (If Applicable)

Height (mm):	
Width (mm):	
Length (mm):	
Depth (mm):	
Gross Weight (kg):	2
Barcode:	5055146182566

Product Details

Country of Origin:	China
Fitting Instruction:	No
CE & UKCA:	Yes
Product Material:	Hd Polyethylene
Heating Element Wattage:	Not Applicable
Colour/Finish:	Chrome
Product Diameter:	Not Applicable
Connection Size:	1/2" Bsp