

Sales Code: FUZRC013

Description: Fs 500mm White Unit Tap & Wc

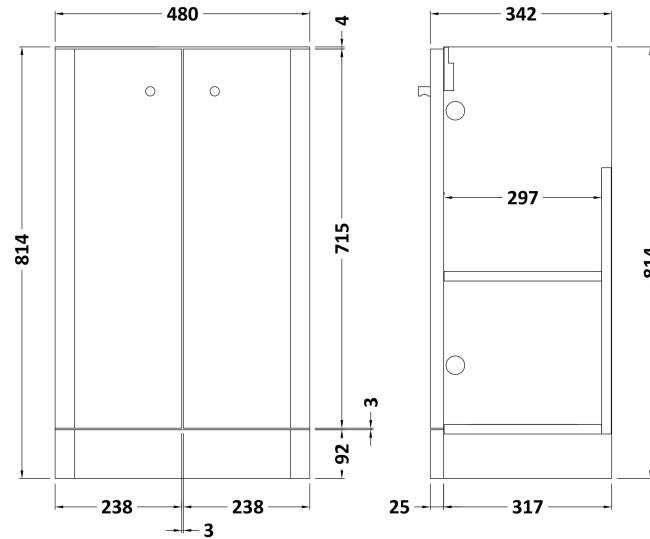


Packaging Details

Barcode: 5056678404225

Sales Code: RC0103

Description: 500 Floor Standing 2-Door Unit



Product Dimensions

Height (mm):	814
Width (mm):	479
Depth (mm):	342
Nett Weight (kg):	17.5

Packaging Dimensions

Height (mm):	835
Width (mm):	500
Depth (mm):	340
Gross Weight (kg):	18

Packaging Data

Box Colour:	Brown Cardboard Box - Printed
Box Qty:	1
Label Size:	100 x 50
Label Colour:	Not Applicable
Label Qty:	0

Outer Box Dimensions (If Applicable)

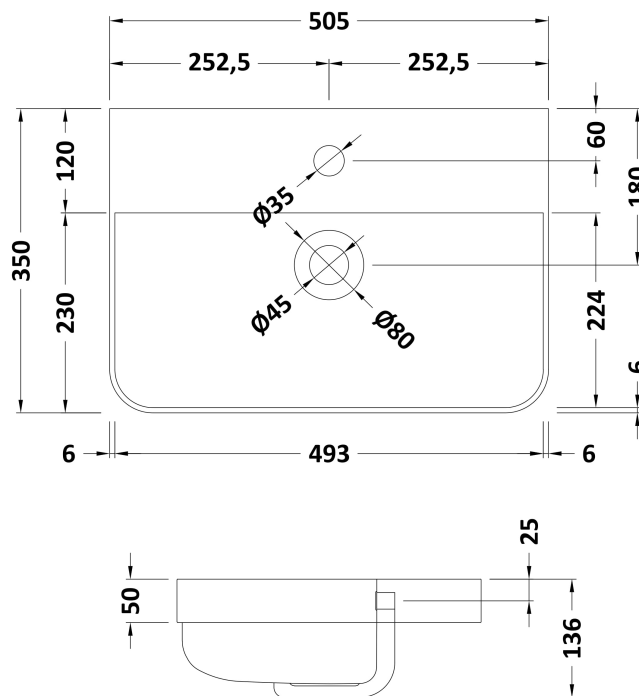
Height (mm):	
Width (mm):	
Depth (mm):	
Gross Weight (kg):	
Barcode:	5056211853343

Product Details

Country of Origin:	China
Fitting Instruction:	No
CE & UKCA:	N/A
FSC Certified Materials:	Yes
Colour:	Gloss White
Construction Method:	Cam & Wood Dowel
Construction Type:	Rigid
Cabinet Finish:	MFC Painted Gloss
Fascia Finish:	Mdf Painted Gloss
Cabinet Thickness (mm):	16
Fascia Thickness (mm):	25
Drawer Included:	No
Drawer Type:	Not Applicable
No of Shelves:	2
Hinge Type:	95 Degree Clip-On Soft Close
Hinge Included:	Yes
Adjustable Legs:	No
Fixings Included:	Yes
Handle Style:	Modern
Waste Shroud:	No
Handle Included:	Yes
Handle Type:	Knob

Sales Code: RC003

Description: 500 Thin Edge Basin 1Th (Radius Corners)



Product Dimensions

Height (mm):	135
Width (mm):	505
Depth (mm):	355
Nett Weight (kg):	10

Packaging Dimensions

Height (mm):	415
Width (mm):	540
Depth (mm):	210
Gross Weight (kg):	10.5

Packaging Data

Box Colour:	Brown Cardboard Box - Printed
Box Qty:	1
Label Size:	130 x 95
Label Colour:	Not Applicable
Label Qty:	0

Outer Box Dimensions (If Applicable)

Height (mm):	
Width (mm):	
Depth (mm):	
Gross Weight (kg):	
Barcode:	5056211853398

Product Details

Country of Origin:	China
Fitting Instruction:	No
Certification: CE & UKCA:	No WRAS: N/A WRAS No: N/A
Product Material:	Vitreous China
Fixing Supplied:	No

Pans/Bidets: Trap Style: Not Applicable Includes Seat: Not Applicable

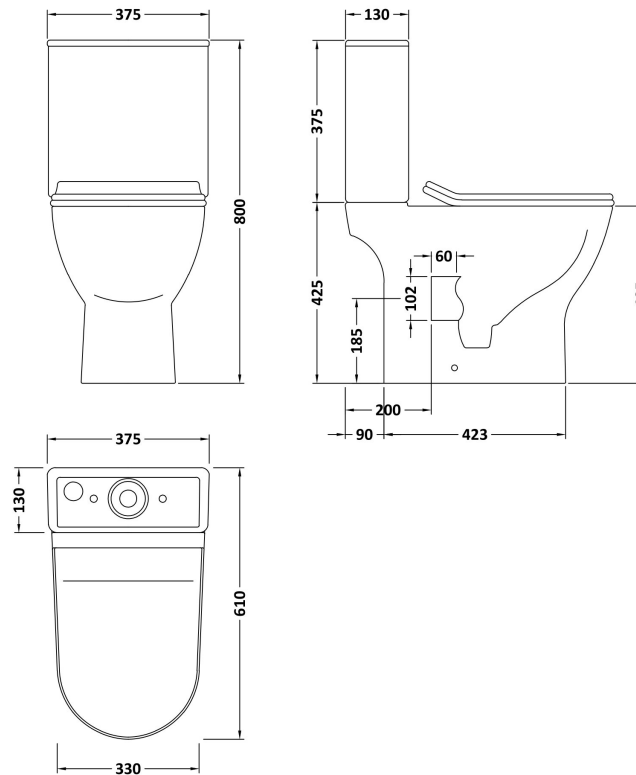
Seats: Seat Type: Not Applicable Material: Not Applicable
Function: Not Applicable Hinge Type: Not Applicable
Hinge Material: Not Applicable

Cisterns: Operating Type: Not Applicable Fittings: Not Applicable
Lever Type: Not Applicable

Basins: Tap Hole: One Taphole Chain Stay Hole: No
Template: Not Required Waste Type Req: Slotted
Overflow Inc: Yes Overflow Cover: Yes
Inner Bowl Depth (mm): 86 mm

Sales Code: NCG350

Description: Freya Rimless Pan, Cistern & Pp Seat



Product Dimensions

Height (mm):	800
Width (mm):	375
Depth (mm):	610
Nett Weight (kg):	33.5

Packaging Dimensions

Height (mm):	435
Width (mm):	770
Depth (mm):	420
Gross Weight (kg):	34

Packaging Data

Box Colour:	Brown Cardboard Box - Printed
Box Qty:	1
Label Size:	100 x 50
Label Colour:	White Label
Label Qty:	2

Outer Box Dimensions (If Applicable)

Height (mm):	
Width (mm):	
Depth (mm):	
Gross Weight (kg):	
Barcode:	5056211868255

Product Details

Country of Origin:	China
Fitting Instruction:	No
Certification: CE & UKCA:	Yes
WRAS:	N/A
WRAS No:	N/A
Product Material:	Vitreous China
Fixing Supplied:	Yes

Pans/Bidets: Trap Style: P Trap Includes Seat: Yes

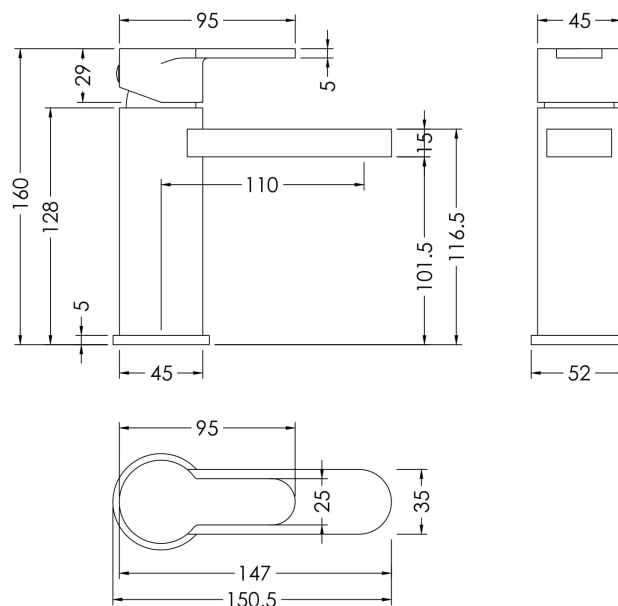
Seats: Seat Type: Round Material: Polypropylene
Function: Soft Close Hinge Type: Top Fix
Hinge Material: Metal

Cisterns: Operating Type: Push Button Fittings: Pre-Fitted 6/3L
Lever Type: Plastic Chrome Platec

Basins: Tap Hole: Not Applicable Chain Stay Hole: Not Applicable
Template: Not Applicable Waste Type Req: Not Applicable
Overflow Inc: Not Applicable Overflow Cover: Not Applicable
Inner Bowl Depth (mm): N/A

Sales Code: ARV305

Description: Arvan Mono Basin Mixer (P/B Waste)



Product Dimensions

Height (mm):	160
Width (mm):	52
Depth (mm):	147
Length (mm):	
Nett Weight (kg):	1.75

Packaging Dimensions

Height (mm):	95
Width (mm):	240
Depth (mm):	285
Gross Weight (kg):	1.75

Packaging Data

Box Colour:	White Cardboard Box
Box Qty:	1
Label Size:	100 x 50
Label Colour:	White Label
Label Qty:	1

Outer Box Dimensions (If Applicable)

Height (mm):	500
Width (mm):	500
Depth (mm):	300
Length (mm):	

Gross Weight (kg):	
Barcode:	5056211898474

Product Details

Country of Origin:	China
Fitting Instruction:	No
Product Material:	Brass
Control Type:	Manual
Waste Included:	Waste Included
Waste Type:	Push Button
WRAS Approval: Yes	Approval No: 2204060
Valve/Cartridge Type:	Single Lever Cartridge
Colour/Finish:	Chrome
Mount Type:	Deck
Operating Pressure (bar):	0.2

Flow Rates: (Litres Per Min)	0.1 bar: 2.8	0.5 bar: 8	1 bar: 11.6	2 bar: 16.7	3 bar: 20.7
Pipe Size:	1/2"				
Pipe Centres:	N/A				