

**Sales Code:** FUZVA001

**Description:** Wh 400mm Gloss White Unit Wc & Tap

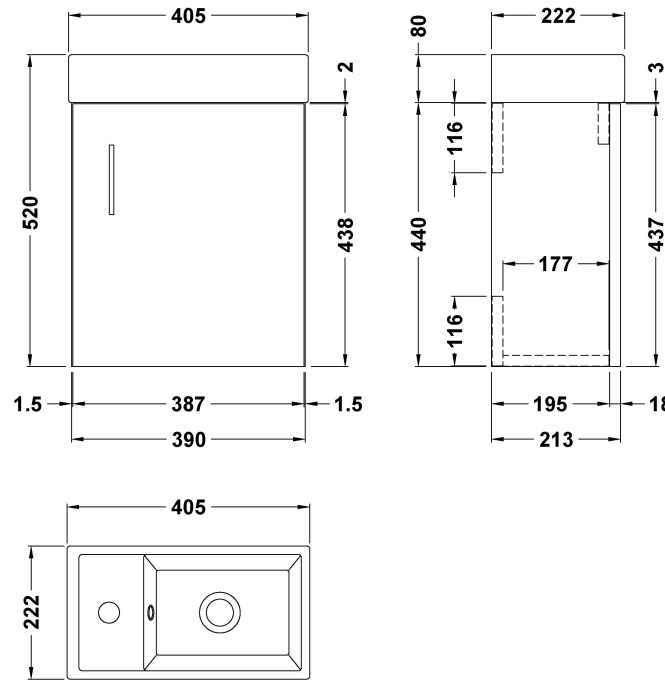
**Packaging Details**

Barcode: 5056678403730



Sales Code: NVX182

Description: 400 W/H Minimalist Compact Unit & Basin



### Product Dimensions

Height (mm):	438
Width (mm):	400
Depth (mm):	222
Nett Weight (kg):	13.2

### Packaging Dimensions

Height (mm):	465
Width (mm):	245
Depth (mm):	410
Gross Weight (kg):	13.2

### Packaging Data

Box Colour:	Brown Cardboard Box - Printed
Box Qty:	1
Label Size:	100 x 50
Label Colour:	Not Applicable
Label Qty:	0

### Outer Box Dimensions (If Applicable)

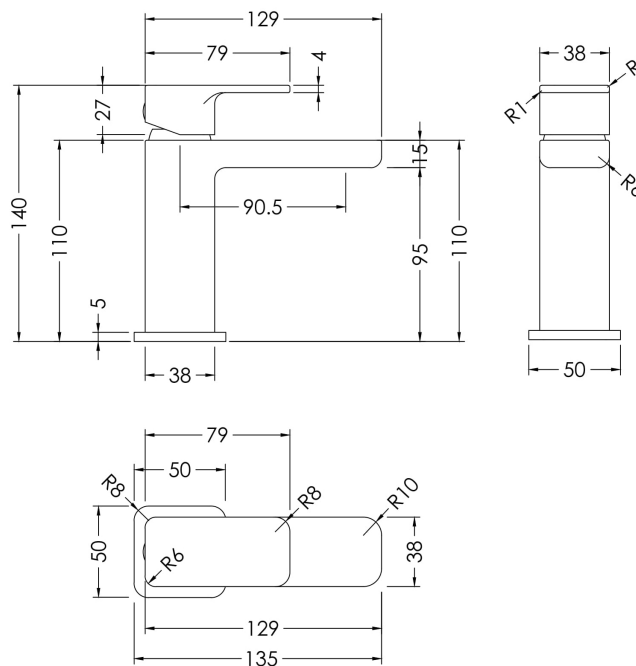
Height (mm):	
Width (mm):	
Depth (mm):	
Gross Weight (kg):	
Barcode:	5055369046546

### Product Details

Country of Origin:	China
Fitting Instruction:	No
CE & UKCA:	No
FSC Certified Materials:	Yes
Colour:	Gloss White
Construction Method:	Cam & Wood Dowel
Construction Type:	Rigid
Cabinet Finish:	MFC Painted Gloss
Fascia Finish:	Mdf Painted Gloss
Cabinet Thickness (mm):	16
Fascia Thickness (mm):	18
Drawer Included:	No
Drawer Type:	Not Applicable
No of Shelves:	0
Hinge Type:	95 Degree Clip-On Soft Close
Hinge Included:	Yes
Adjustable Legs:	No
Fixings Included:	Yes
Handle Style:	Modern
Waste Shroud:	No
Handle Included:	Yes
Handle Type:	Bar

Sales Code: WIN315

Description: Windon Mini Basin Mixer (P/B Waste)



### Product Dimensions

Height (mm):	140
Width (mm):	48
Depth (mm):	129
Length (mm):	
Nett Weight (kg):	1.62

### Packaging Dimensions

Height (mm):	95
Width (mm):	225
Depth (mm):	275
Gross Weight (kg):	1.62

### Packaging Data

Box Colour:	White Cardboard Box
Box Qty:	1
Label Size:	100 x 50
Label Colour:	White Label
Label Qty:	1

### Outer Box Dimensions (If Applicable)

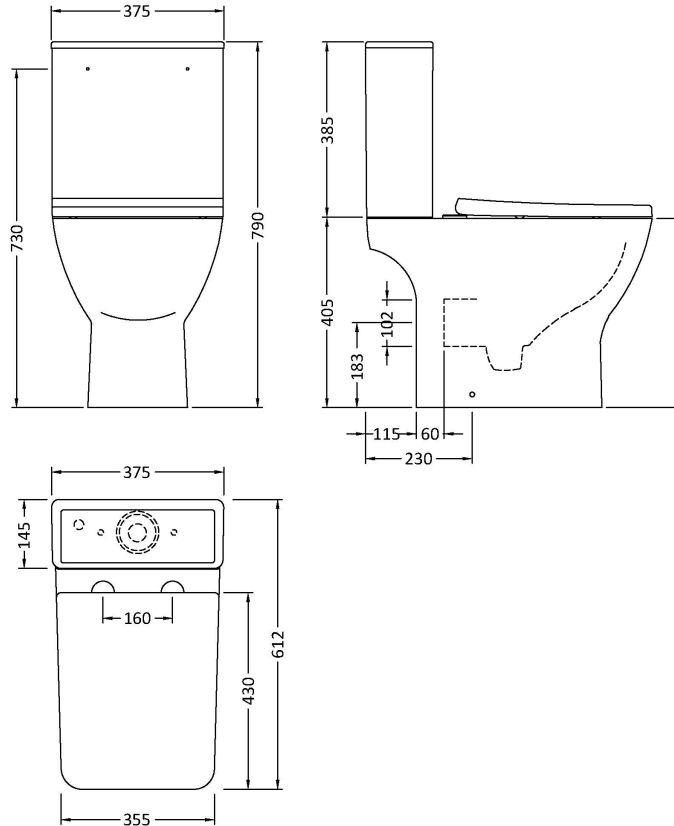
Height (mm):	500
Width (mm):	480
Depth (mm):	295
Length (mm):	
Gross Weight (kg):	
Barcode:	5056211898191

### Product Details

Country of Origin:	China
Fitting Instruction:	No
Product Material:	Brass
Control Type:	Manual
Waste Included:	Waste Included
Waste Type:	Push Button
WRAS Approval:	No
Approval No:	N/A
Valve/Cartridge Type:	Single Lever Cartridge
Colour/Finish:	Chrome
Mount Type:	Deck
Operating Pressure (bar):	0.2
Flow Rates: (Litres Per Min)	0.1 bar: 2.6    0.5 bar: 7    1 bar: 10.2    2 bar: 14.8    3 bar: 18.3
Pipe Size:	1/2"
Pipe Centres:	N/A

Sales Code: NCG450

Description: Ava Rimless Pan, Cistern & Sc Seat



### Product Dimensions

Height (mm):	790
Width (mm):	375
Depth (mm):	612
Nett Weight (kg):	38.5

### Packaging Dimensions

Height (mm):	435
Width (mm):	770
Depth (mm):	420
Gross Weight (kg):	39

### Packaging Data

Box Colour:	Brown Cardboard Box - Printed	
Box Qty:	1	
Label Size:	100 x 50	
Label Colour:	White Label	
Label Qty:	2	

### Outer Box Dimensions (If Applicable)

Height (mm):	
Width (mm):	
Depth (mm):	
Gross Weight (kg):	
Barcode:	5056211807544

### Product Details

Country of Origin:	China	
Fitting Instruction:	No	
Certification: CE & UKCA:	Yes	WRAS: N/A WRAS No: N/A
Product Material:	Vitreous China	
Fixing Supplied:	No	

**Pans/Bidets:** Trap Style: P Trap Includes Seat: Yes

**Seats:** Seat Type: Square Material: Urea  
Function: Soft Close Hinge Type: Top Fix  
Hinge Material: Metal

**Cisterns:** Operating Type: Push Button Fittings: Pre-Fitted 6/3L  
Lever Type: Plastic Chrome Platec

**Basins:** Tap Hole: Not Applicable Chain Stay Hole: Not Applicable  
Template: Not Applicable Waste Type Req: Not Applicable  
Overflow Inc: Not Applicable Overflow Cover: Not Applicable  
Inner Bowl Depth (mm): N/A