

Sales Code: FUZVA013

Description: Fs 400mm Gloss Grey Unit Wc & Tap

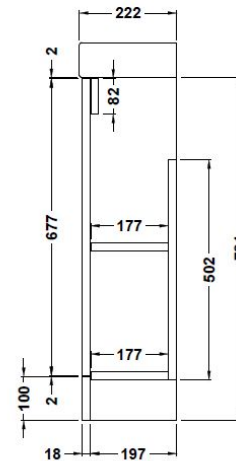
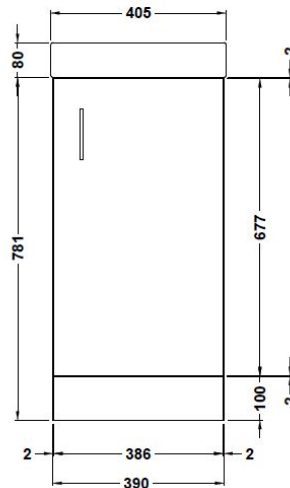
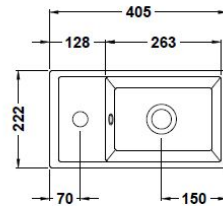
Packaging Details

Barcode: 5056678403853



Sales Code: MIN014

Description: 400 Single Door Fs Unit And Basin



Product Dimensions

Height (mm):	781
Width (mm):	400
Depth (mm):	222
Nett Weight (kg):	25.5

Packaging Dimensions

Height (mm):	800
Width (mm):	410
Depth (mm):	235
Gross Weight (kg):	26

Packaging Data

Box Colour:	Brown Cardboard Box
Box Qty:	1
Label Size:	50 x 100
Label Colour:	White Label
Label Qty:	2

Outer Box Dimensions (If Applicable)

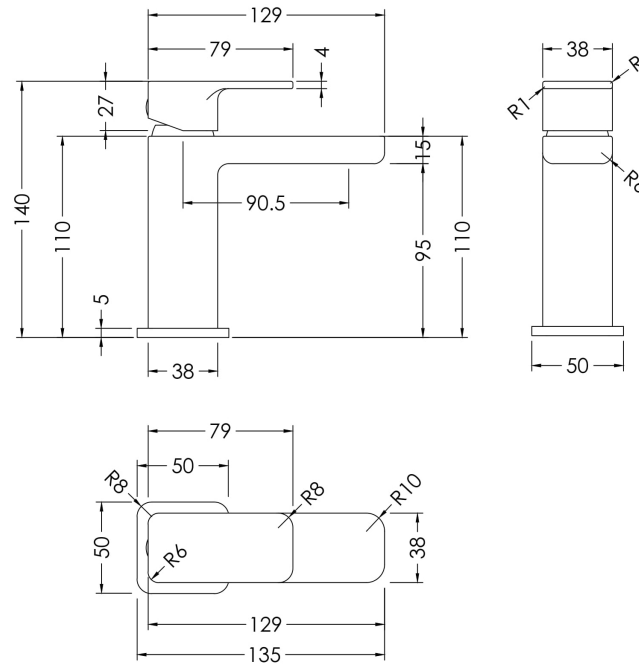
Height (mm):	
Width (mm):	
Depth (mm):	
Gross Weight (kg):	
Barcode:	5056211809395

Product Details

Country of Origin:	China
Fitting Instruction:	No
CE & UKCA:	N/A
FSC Certified Materials:	Yes
Colour:	Gloss Grey
Construction Method:	Cam & Wood Dowel
Construction Type:	Rigid
Cabinet Finish:	MFC Gloss
Fascia Finish:	MFC Gloss
Cabinet Thickness (mm):	18
Fascia Thickness (mm):	18
Drawer Included:	No
Drawer Type:	Not Applicable
No of Shelves:	1
Hinge Type:	95 Degree Soft Close
Hinge Included:	Yes
Adjustable Legs:	No, Not Required
Fixings Included:	Yes
Handle Style:	Contemporary
Waste Shroud:	Not Applicable
Handle Included:	Yes
Handle Type:	Bar

Sales Code: WIN315

Description: Windon Mini Basin Mixer (P/B Waste)



Product Dimensions

Height (mm):	140
Width (mm):	48
Depth (mm):	129
Length (mm):	
Nett Weight (kg):	1.62

Packaging Dimensions

Height (mm):	95
Width (mm):	225
Depth (mm):	275
Gross Weight (kg):	1.62

Packaging Data

Box Colour:	White Cardboard Box
Box Qty:	1
Label Size:	100 x 50
Label Colour:	White Label
Label Qty:	1

Outer Box Dimensions (If Applicable)

Height (mm):	500
Width (mm):	480
Depth (mm):	295
Length (mm):	

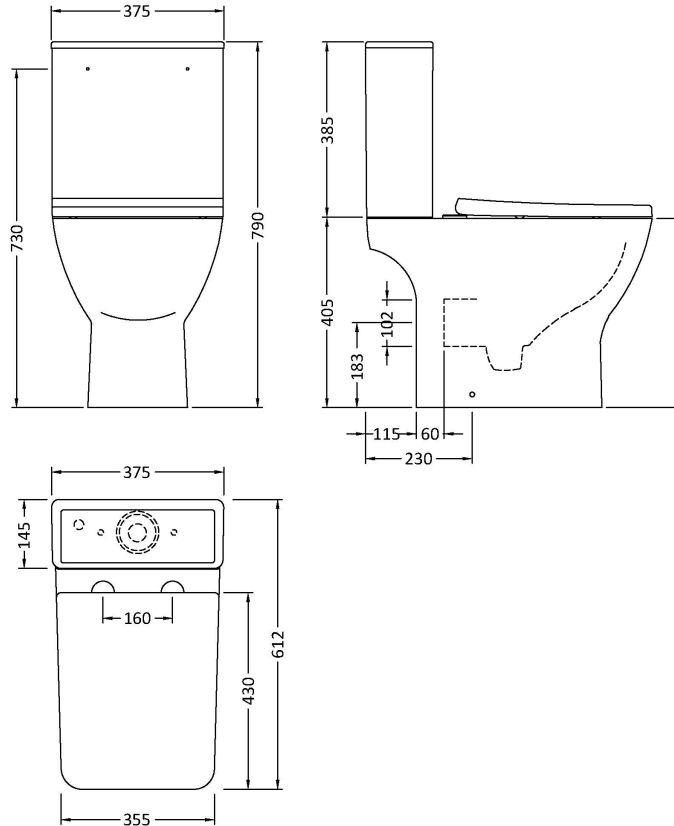
Gross Weight (kg):	
Barcode:	5056211898191

Product Details

Country of Origin:	China
Fitting Instruction:	No
Product Material:	Brass
Control Type:	Manual
Waste Included:	Waste Included
Waste Type:	Push Button
WRAS Approval:	No
Approval No:	N/A
Valve/Cartridge Type:	Single Lever Cartridge
Colour/Finish:	Chrome
Mount Type:	Deck
Operating Pressure (bar):	0.2
Flow Rates: (Litres Per Min)	0.1 bar: 2.6 0.5 bar: 7 1 bar: 10.2 2 bar: 14.8 3 bar: 18.3
Pipe Size:	1/2"
Pipe Centres:	N/A

Sales Code: NCG450

Description: Ava Rimless Pan, Cistern & Sc Seat



Product Dimensions

Height (mm):	790
Width (mm):	375
Depth (mm):	612
Nett Weight (kg):	38.5

Packaging Dimensions

Height (mm):	435
Width (mm):	770
Depth (mm):	420
Gross Weight (kg):	39

Packaging Data

Box Colour:	Brown Cardboard Box - Printed
Box Qty:	1
Label Size:	100 x 50
Label Colour:	White Label
Label Qty:	2

Outer Box Dimensions (If Applicable)

Height (mm):	
Width (mm):	
Depth (mm):	
Gross Weight (kg):	
Barcode:	5056211807544

Product Details

Country of Origin:	China
Fitting Instruction:	No
Certification: CE & UKCA:	Yes
WRAS:	N/A
WRAS No:	N/A
Product Material:	Vitreous China
Fixing Supplied:	No

Pans/Bidets:	Trap Style: P Trap	Includes Seat: Yes
---------------------	--------------------	--------------------

Seats:	Seat Type: Square	Material: Urea
	Function: Soft Close	Hinge Type: Top Fix
	Hinge Material: Metal	

Cisterns:	Operating Type: Push Button	Fittings: Pre-Fitted 6/3L
	Lever Type: Plastic Chrome Platec	

Basins:	Tap Hole: Not Applicable	Chain Stay Hole: Not Applicable
	Template: Not Applicable	Waste Type Req: Not Applicable
	Overflow Inc: Not Applicable	Overflow Cover: Not Applicable
	Inner Bowl Depth (mm):	N/A