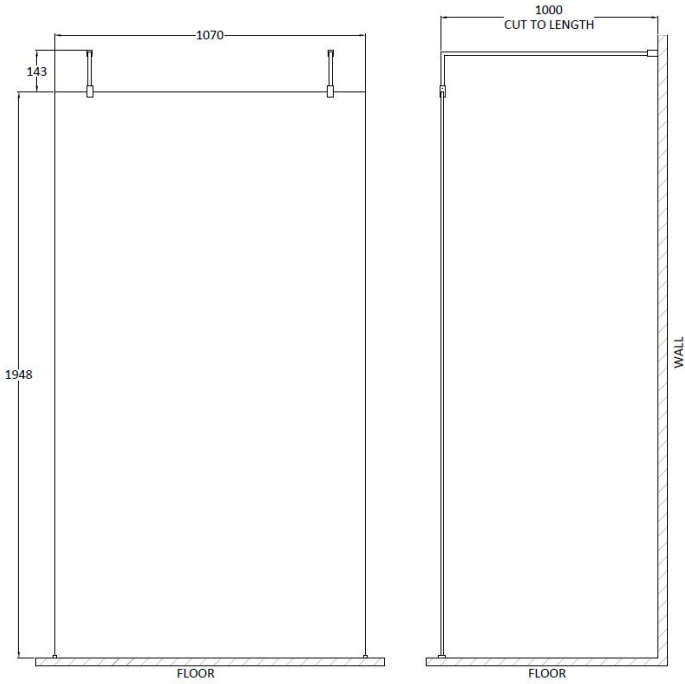


Sales Code: GPAF11

Description: 1100 Wetroom Screen With Arms And H Feet

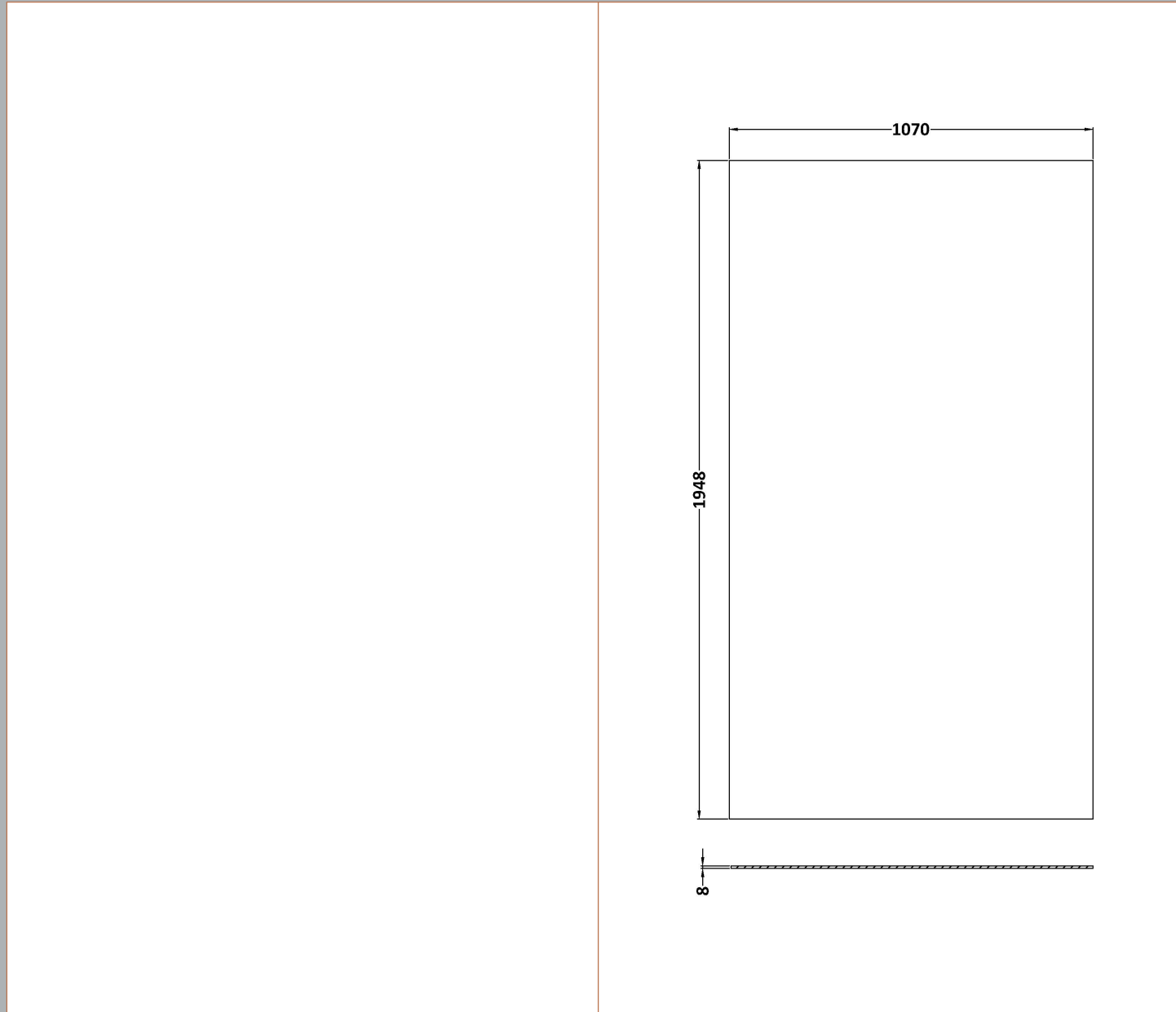


Packaging Details

Barcode: 5056211855651

Sales Code: WRSB1100G

Description: Glass Only 1100 X 1950 X 8mm



Product Dimensions

| | |
|-------------------|------|
| Height (mm): | 1950 |
| Width (mm): | 1100 |
| Depth (mm): | 8 |
| Nett Weight (kg): | 48.8 |

Packaging Dimensions

| | |
|--------------------|------|
| Height (mm): | 2070 |
| Width (mm): | 1150 |
| Length (mm): | 60 |
| Gross Weight (kg): | 48.8 |

Packaging Data

| | |
|---------------|-------------------------------|
| Box Colour: | Brown Cardboard Box - Printed |
| Box Qty: | 1 |
| Label Size: | 100 x 50 |
| Label Colour: | Not Applicable |
| Label Qty: | 0 |

Outer Box Dimensions (If Applicable)

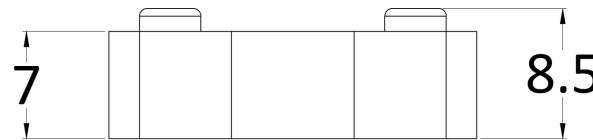
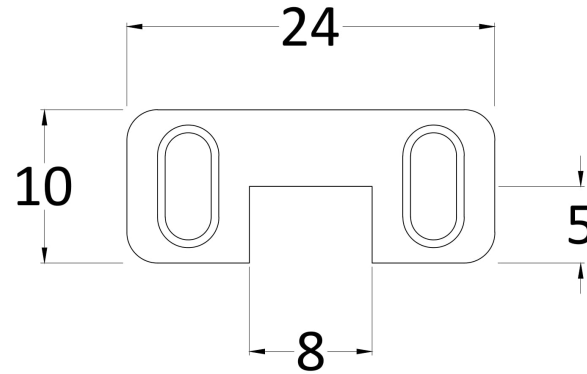
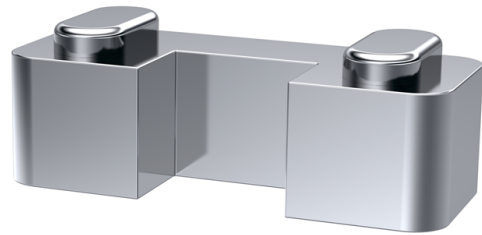
| | |
|--------------------|---------------|
| Height (mm): | |
| Width (mm): | |
| Depth (mm): | |
| Length (mm): | |
| Gross Weight (kg): | |
| Barcode: | 5056462620763 |

Product Details

| | |
|-----------------------|--------------------------|
| Country of Origin: | China |
| Fitting Instruction: | No |
| CE & UKCA: | Yes |
| Profile Material: | |
| Profile Finish: | Not Applicable |
| Adjustments (mm): | N/A |
| Entry Width (mm): | N/A |
| Swing In Dim (mm): | N/A |
| Swing Out Dim (mm): | N/A |
| Radius (mm): | Not Applicable |
| Glass Thickness (mm): | 8 |
| Easy Fit: | No |
| Easy Clean: | No |
| Handle Style: | Not Applicable |
| Handle Material: | Not Applicable |
| Enclosure Design: | Frameless |
| Wheel Type: | Not Applicable |
| Support Bar Included: | Support Bar Not Included |
| Extras: | None |

Sales Code: WRSF003

Description: Wetroom Horseshoe Support Foot Chrome



Product Dimensions

| | |
|-------------------|------|
| Height (mm): | 9 |
| Width (mm): | 24 |
| Depth (mm): | 10 |
| Nett Weight (kg): | 0.16 |

Packaging Dimensions

| | |
|--------------------|------|
| Height (mm): | 45 |
| Width (mm): | 30 |
| Length (mm): | 44 |
| Gross Weight (kg): | 0.16 |

Packaging Data

| | |
|---------------|---------------------|
| Box Colour: | White Cardboard Box |
| Box Qty: | 1 |
| Label Size: | 100 x 50 |
| Label Colour: | White Label |
| Label Qty: | 2 |

Outer Box Dimensions (If Applicable)

| | |
|--------------------|---------------|
| Height (mm): | 360 |
| Width (mm): | 270 |
| Depth (mm): | |
| Length (mm): | |
| Gross Weight (kg): | |
| Barcode: | 5055275896228 |

Product Details

| | |
|-----------------------|-------|
| Country of Origin: | China |
| Fitting Instruction: | No |
| CE & UKCA: | N/A |
| Profile Material: | |
| Profile Finish: | |
| Adjustments (mm): | |
| Entry Width (mm): | |
| Swing In Dim (mm): | |
| Swing Out Dim (mm): | |
| Radius (mm): | |
| Glass Thickness (mm): | |
| Easy Fit: | |
| Easy Clean: | |
| Handle Style: | |
| Handle Material: | |
| Enclosure Design: | |
| Wheel Type: | |
| Support Bar Included: | |
| Extras: | |

Sales Code: FIX023

Description: Wetroom Screen Support Arm Chrome



Product Dimensions

| | |
|-------------------|------|
| Height (mm): | 15 |
| Width (mm): | 150 |
| Depth (mm): | 1000 |
| Nett Weight (kg): | 0.67 |

Packaging Dimensions

| | |
|--------------------|------|
| Height (mm): | 35 |
| Width (mm): | 160 |
| Length (mm): | 1020 |
| Gross Weight (kg): | 0.7 |

Packaging Data

| | |
|---------------|---------------------|
| Box Colour: | Brown Cardboard Box |
| Box Qty: | 1 |
| Label Size: | 100 x 50 |
| Label Colour: | White Label |
| Label Qty: | 1 |

Outer Box Dimensions (If Applicable)

| | |
|--------------------|---------------|
| Height (mm): | |
| Width (mm): | |
| Depth (mm): | |
| Length (mm): | |
| Gross Weight (kg): | |
| Barcode: | 5056211800002 |

Product Details

| | |
|-----------------------|-----------------|
| Country of Origin: | China |
| Fitting Instruction: | No |
| CE & UKCA: | N/A |
| Profile Material: | Stainless Steel |
| Profile Finish: | Chrome |
| Adjustments (mm): | N/A |
| Entry Width (mm): | N/A |
| Swing In Dim (mm): | N/A |
| Swing Out Dim (mm): | N/A |
| Radius (mm): | Not Applicable |
| Glass Thickness (mm): | |
| Easy Fit: | Not Applicable |
| Easy Clean: | Not Applicable |
| Handle Style: | Not Applicable |
| Handle Material: | Not Applicable |
| Enclosure Design: | Not Applicable |
| Wheel Type: | Not Applicable |
| Support Bar Included: | |
| Extras: | None |