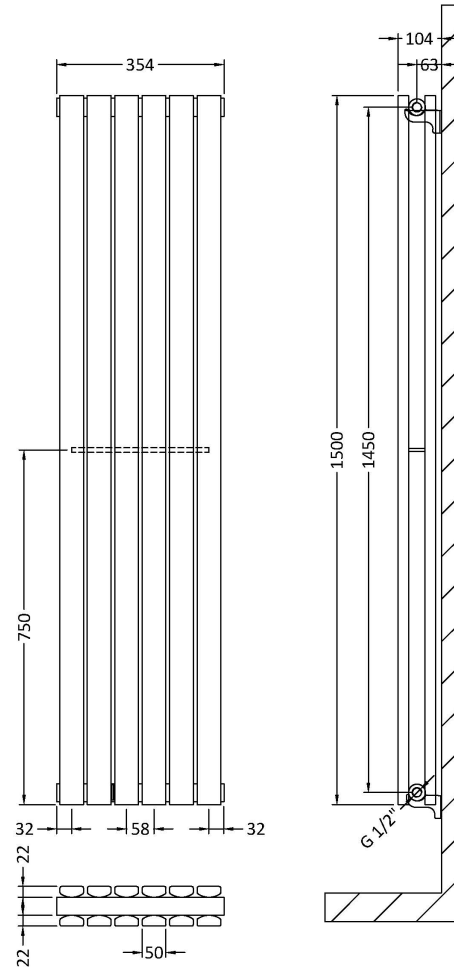


**Sales Code:** HLA73

**Description:** Sloane Vertical Double Panel 1500X354



### Product Dimensions

Height (mm):	1500
Width (mm):	354
Depth (mm):	79
Length (mm):	
Nett Weight (kg):	29

### Packaging Dimensions

Height (mm):	105
Width (mm):	415
Length (mm):	1565
Gross Weight (kg):	31.4

### Packaging Data

Box Colour:	White Cardboard Shrinkwrapped
Box Qty:	1
Label Size:	100 x 50
Label Colour:	White Label
Label Qty:	2

### Outer Box Dimensions (If Applicable)

Height (mm):	
Width (mm):	
Length (mm):	
Gross Weight (kg):	
Barcode:	5056211886099

### Product Details

Country of Origin:	China
Fitting Instruction:	No
Certification:	CE & UKCA: Yes    RoHS: N/A    WEEE: N/A
Colour/Finish:	Anthracite
RAL No:	7016
Product Material:	Steel
Heat Element Wattage:	Not Applicable
Heating Element Wattage Compatible:	N/A
BTU Outputs:	30°C / 1608    50°C / 3105    60°C / 3934
Thermal Outputs: (Watts)	30°C / 471    50°C / 910    60°C / 1153
Pipe Centres - If Vertical:	444mm
Pipe Centres - If Horizontal:	444
Max Projection:	110mm
Tube Diameter:	
Packaging Volume (L):	
Wall to Centre of Tappings:	N/A
Floor to Centre of Tappings:	51
Dual Fuel:	N/A
IP Rating:	