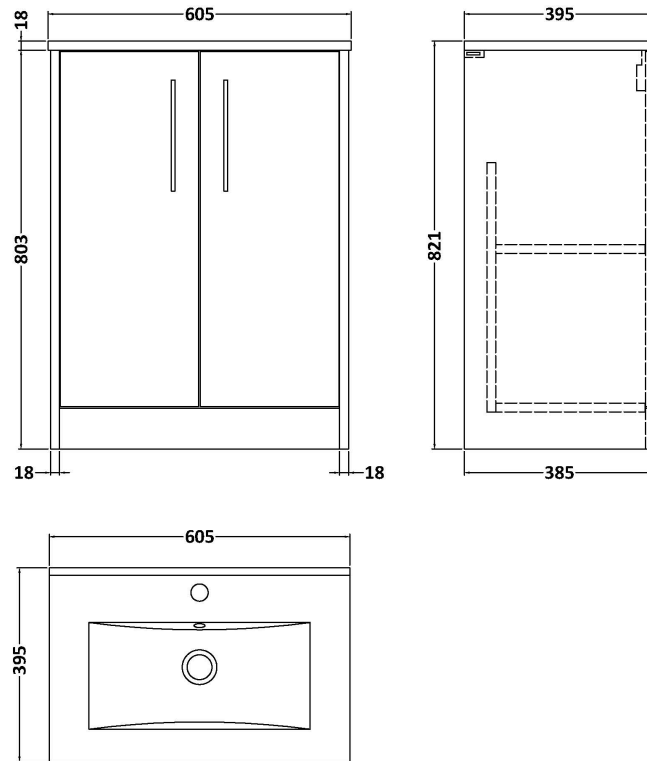


Sales Code: JNU1803B

Description: 600 Fs 2-Door Vanity & Basin 2

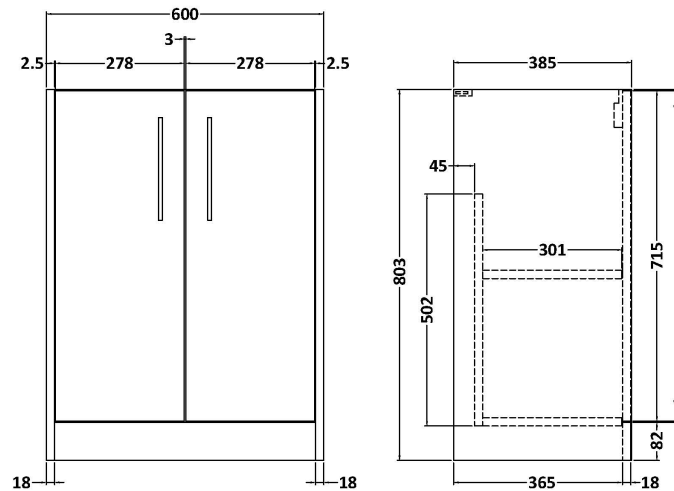
### Packaging Details

Barcode: 5056462671123



Sales Code: NPF1803

Description: 600 F/S 2-Door Unit (385 Deep)



### Product Dimensions

|                   |     |
|-------------------|-----|
| Height (mm):      | 803 |
| Width (mm):       | 600 |
| Depth (mm):       | 385 |
| Nett Weight (kg): | 19  |

### Packaging Dimensions

|                    |      |
|--------------------|------|
| Height (mm):       | 835  |
| Width (mm):        | 620  |
| Depth (mm):        | 395  |
| Gross Weight (kg): | 19.5 |

### Packaging Data

|               |                     |
|---------------|---------------------|
| Box Colour:   | Brown Cardboard Box |
| Box Qty:      | 1                   |
| Label Size:   | 50 x 100            |
| Label Colour: | White Label         |
| Label Qty:    | 2                   |

### Outer Box Dimensions (If Applicable)

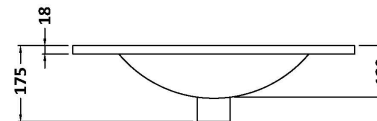
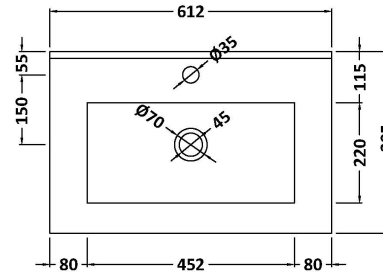
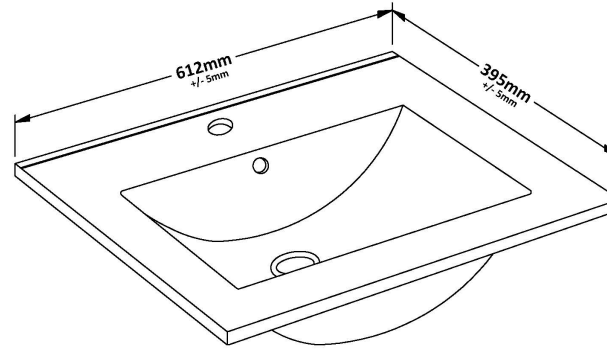
|                    |               |
|--------------------|---------------|
| Height (mm):       |               |
| Width (mm):        |               |
| Depth (mm):        |               |
| Gross Weight (kg): |               |
| Barcode:           | 5056462656977 |

### Product Details

|                          |                              |
|--------------------------|------------------------------|
| Country of Origin:       | United Kingdom               |
| Fitting Instruction:     | No                           |
| CE & UKCA:               |                              |
| FSC Certified Materials: | Yes                          |
| Colour:                  | Halifax Oak                  |
| Construction Method:     | Cam & Wood Dowel             |
| Construction Type:       | Rigid                        |
| Cabinet Finish:          | MFC Textured Woodgrain       |
| Fascia Finish:           | MFC Textured Woodgrain       |
| Cabinet Thickness (mm):  | 18                           |
| Fascia Thickness (mm):   | 18                           |
| Drawer Included:         | No                           |
| Drawer Type:             | Not Applicable               |
| No of Shelves:           | 1                            |
| Hinge Type:              | 95 Degree Clip-On Soft Close |
| Hinge Included:          | Yes, Supplied                |
| Adjustable Legs:         | No, Not Required             |
| Fixings Included:        | Yes                          |
| Handle Style:            | Modern                       |
| Waste Shroud:            | Not Applicable               |
| Handle Included:         | Yes, Supplied                |
| Handle Type:             | D-Shape                      |

Sales Code: NVM003

Description: Minimalist Basin 600mm



### Product Dimensions

|                   |       |
|-------------------|-------|
| Height (mm):      | 170   |
| Width (mm):       | 600   |
| Depth (mm):       | 390   |
| Nett Weight (kg): | 10.76 |

### Packaging Dimensions

|                    |       |
|--------------------|-------|
| Height (mm):       | 200   |
| Width (mm):        | 400   |
| Depth (mm):        | 620   |
| Gross Weight (kg): | 10.76 |

### Packaging Data

|               |                               |
|---------------|-------------------------------|
| Box Colour:   | Brown Cardboard Box - Printed |
| Box Qty:      | 1                             |
| Label Size:   | 100 x 50                      |
| Label Colour: | White Label                   |
| Label Qty:    | 2                             |

### Outer Box Dimensions (If Applicable)

|                    |               |
|--------------------|---------------|
| Height (mm):       |               |
| Width (mm):        |               |
| Depth (mm):        |               |
| Gross Weight (kg): |               |
| Barcode:           | 5055146194668 |

### Product Details

|                           |                           |
|---------------------------|---------------------------|
| Country of Origin:        | China                     |
| Fitting Instruction:      | No                        |
| Certification: CE & UKCA: | No WRAS: N/A WRAS No: N/A |
| Product Material:         | Vitreous China            |
| Fixing Supplied:          | No                        |

**Pans/Bidets:** Trap Style: Not Applicable Includes Seat: Not Applicable

**Seats:** Seat Type: Not Applicable Material: Not Applicable  
Function: Not Applicable Hinge Type: Not Applicable  
Hinge Material: Not Applicable

**Cisterns:** Operating Type: Not Applicable Fittings: Not Applicable  
Lever Type: Not Applicable

**Basins:** Tap Hole: One Taphole Chain Stay Hole: No  
Template: Not Required Waste Type Req: Slotted  
Overflow Inc: Yes Overflow Cover: Yes  
Inner Bowl Depth (mm): 130mm