

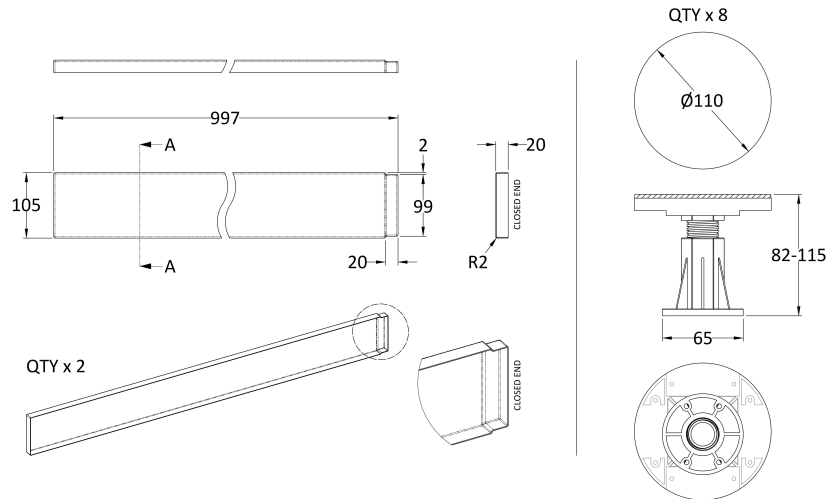
Sales Code: LEG2W

Description: Suitable For 1000 Square & Rec Trays



### Packaging Details

Barcode: 5056211868774



**Sales Code:** NTP515

**Description:** 1000 Tray Panel



**Product Dimensions**

Length (mm):	1000
Width (mm):	105
Height (mm):	12
Nett Weight (kg):	0.32

**Packaging Dimensions**

Length (mm):	1010
Width (mm):	110
Height (mm):	15
Gross Weight (kg):	0.32

**Packaging Data**

Box Colour:	Polybagged
Box Qty:	1
Label Size:	100 x 50
Label Colour:	White Label
Label Qty:	2

**Outer Box Dimensions (If Applicable)**

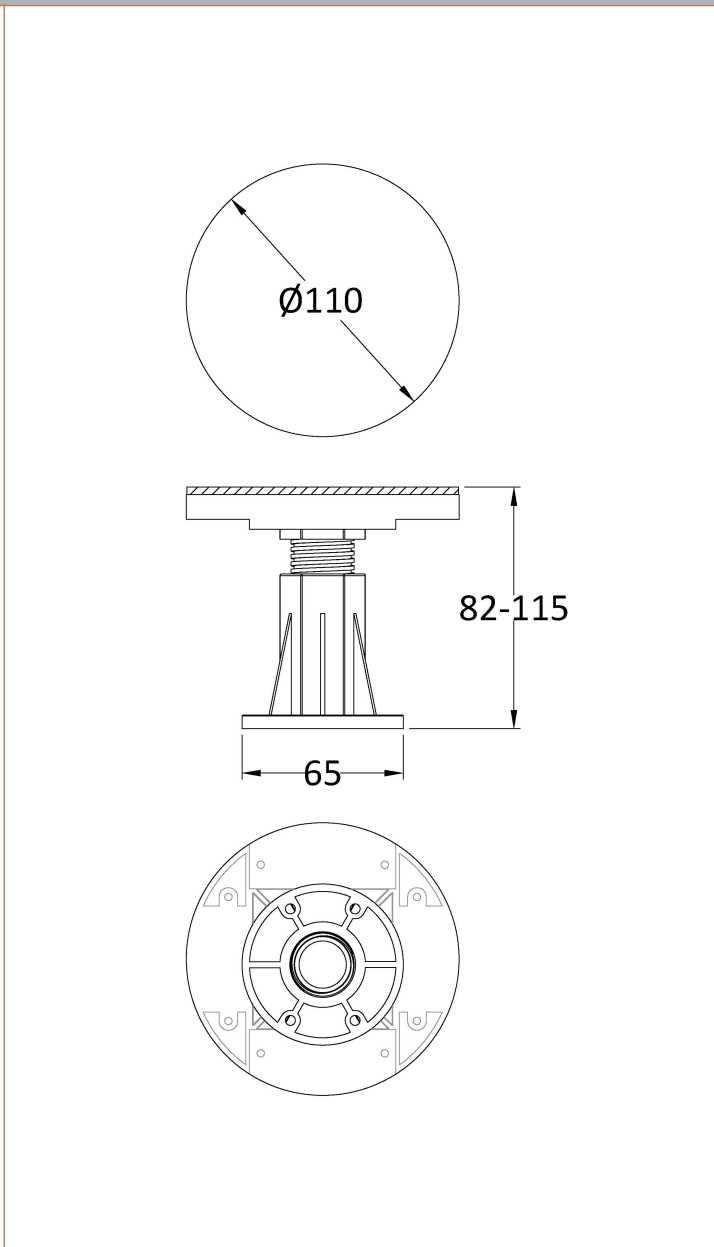
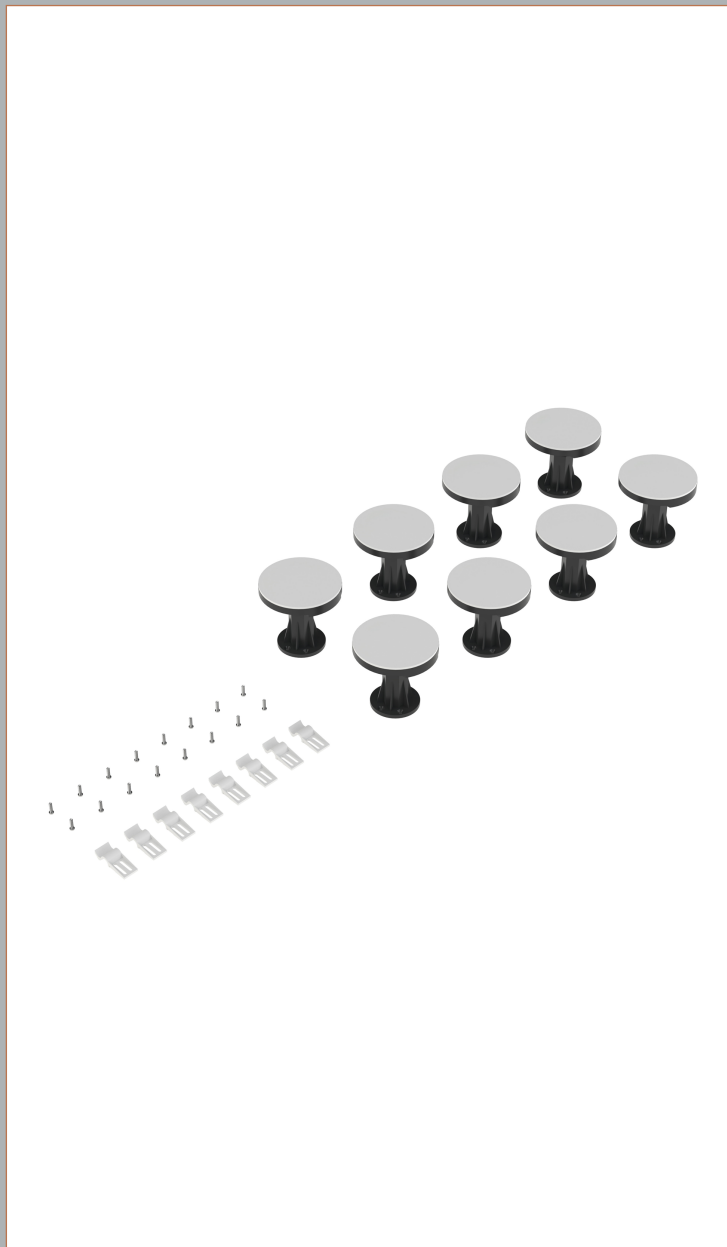
Length (mm):	
Width (mm):	
Height (mm):	
Gross Weight (kg):	
Barcode:	5055369007950

**Product Details**

Country of Origin:	Turkey
Fitting Instruction:	No
CE & UKCA:	
Colour/Finish:	White
Product Material:	Acrylic Capped ABS
Material Colour Reference:	European White
Radius:	0
Waste Required (mm):	
Compatible with Leg Kit:	Not Applicable

Sales Code: NTP001B

Description: Pack Of 8 Legs/Clips & Screws



Product Dimensions	
Length (mm):	110
Width (mm):	110
Height (mm):	115
Depth (mm):	
Nett Weight (kg):	0.09
Packaging Dimensions	
Height (mm):	180
Width (mm):	120
Depth (mm):	125
Gross Weight (kg):	0.09
Packaging Data	
Box Colour:	Polybagged
Box Qty:	1
Label Size:	100 x 50
Label Colour:	White Label
Label Qty:	2
Outer Box Dimensions (If Applicable)	
Height (mm):	
Width (mm):	
Length (mm):	
Depth (mm):	
Gross Weight (kg):	
Barcode:	5056211855422
Product Details	
Country of Origin:	China
Fitting Instruction:	No
CE & UKCA:	
Product Material:	
Heating Element Wattage:	
Colour/Finish:	
Product Diameter:	
Connection Size:	