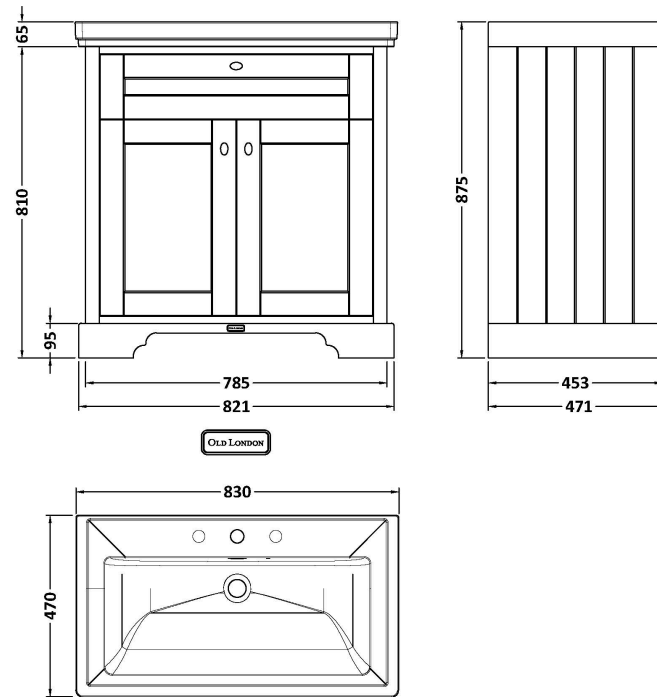


Sales Code: LOF436

Description: 800 2-Door Unit & Classic Basin 3Th

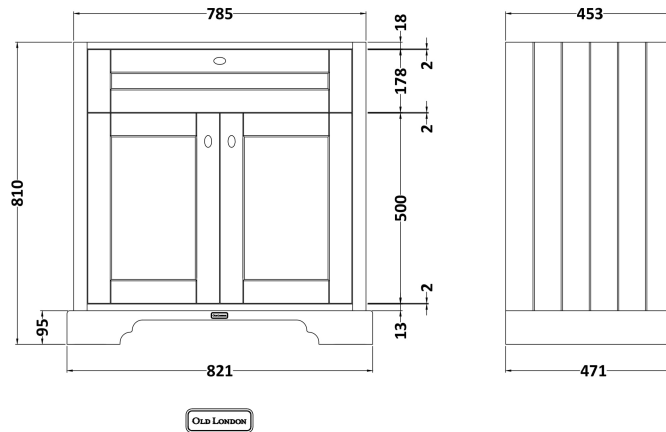
Packaging Details

Barcode: 5056678418192



Sales Code: LON405

Description: 800 2-Door Basin Unit



OLD LONDON

Product Dimensions

| | |
|-------------------|------|
| Height (mm): | 810 |
| Width (mm): | 821 |
| Depth (mm): | 471 |
| Nett Weight (kg): | 35.5 |

Packaging Dimensions

| | |
|--------------------|-----|
| Height (mm): | 851 |
| Width (mm): | 854 |
| Depth (mm): | 511 |
| Gross Weight (kg): | 36 |

Packaging Data

| | |
|---------------|---------------------|
| Box Colour: | Brown Cardboard Box |
| Box Qty: | 1 |
| Label Size: | 150 x 100 |
| Label Colour: | White Label |
| Label Qty: | 2 |

Outer Box Dimensions (If Applicable)

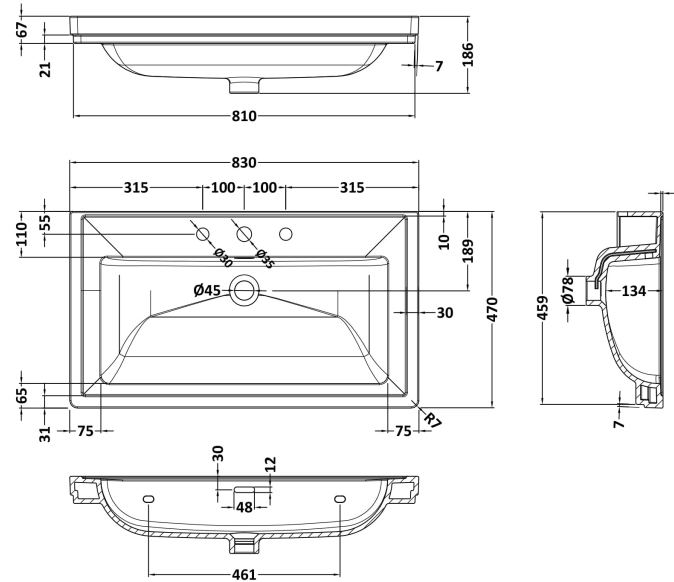
| | |
|--------------------|---------------|
| Height (mm): | |
| Width (mm): | |
| Depth (mm): | |
| Gross Weight (kg): | |
| Barcode: | 5056211818045 |

Product Details

| | |
|--------------------------|-----------------------------|
| Country of Origin: | Ireland |
| Fitting Instruction: | No |
| CE & UKCA: | |
| FSC Certified Materials: | Yes |
| Colour: | Timeless Sand |
| Construction Method: | Cam & Wood Dowel |
| Construction Type: | Rigid |
| Cabinet Finish: | Mdf Vinyl Smooth Matt |
| Fascia Finish: | Mdf Vinyl Smooth Matt |
| Cabinet Thickness (mm): | 18 |
| Fascia Thickness (mm): | 18 |
| Drawer Included: | No |
| Drawer Type: | Not Applicable |
| No of Shelves: | 1 |
| Hinge Type: | 95 Degree Inset Clip-On S/C |
| Hinge Included: | Yes |
| Adjustable Legs: | Not Applicable |
| Fixings Included: | Not Required |
| Handle Style: | Traditional |
| Waste Shroud: | No |
| Handle Included: | Yes |
| Handle Type: | Knob |

Sales Code: CBM535

Description: 800 Classique Basin 3Th



Product Dimensions

| | |
|-------------------|------|
| Height (mm): | 67 |
| Width (mm): | 830 |
| Depth (mm): | 470 |
| Nett Weight (kg): | 21.5 |

Packaging Dimensions

| | |
|--------------------|------|
| Height (mm): | 490 |
| Width (mm): | 850 |
| Depth (mm): | 220 |
| Gross Weight (kg): | 21.5 |

Packaging Data

| | |
|---------------|-------------------------------|
| Box Colour: | Brown Cardboard Box - Printed |
| Box Qty: | 1 |
| Label Size: | 100 x 50 |
| Label Colour: | White Label |
| Label Qty: | 2 |

Outer Box Dimensions (If Applicable)

| | |
|--------------------|---------------|
| Height (mm): | |
| Width (mm): | |
| Depth (mm): | |
| Gross Weight (kg): | |
| Barcode: | 5056462643687 |

Product Details

| | | |
|------------------------------|----------------|--------------|
| Country of Origin: | Utd.Arab.Emir. | |
| Fitting Instruction: | No | |
| Certification: CE & UKCA: No | WRAS: N/A | WRAS No: N/A |
| Product Material: | Fireclay | |
| Fixing Supplied: | No | |

Pans/Bidets: Trap Style: N/A Includes Seat: Not Applicable

Seats: Seat Type: N/A Material: Not Applicable
Function: Not Applicable Hinge Type: Not Applicable
Hinge Material: Not Applicable

Cisterns: Operating Type: Not Applicable Fittings: Not Applicable
Lever Type: Not Applicable

Basins: Tap Hole: Three Tapholes Chain Stay Hole: No
Template: Not Required Waste Type Req: Slotted
Overflow Inc: Yes Overflow Cover: Yes
Inner Bowl Depth (mm): 134mm