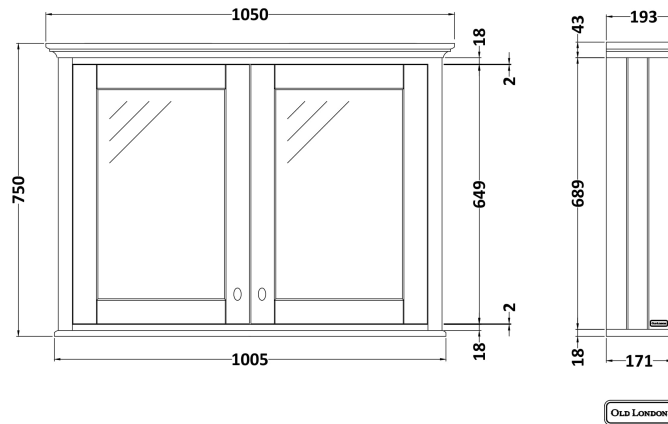


Sales Code: LON417

Description: 1050 Mirror Cabinet



Product Dimensions

| | |
|-------------------|------|
| Height (mm): | 750 |
| Width (mm): | 1050 |
| Depth (mm): | 198 |
| Nett Weight (kg): | 37.5 |

Packaging Dimensions

| | |
|--------------------|------|
| Height (mm): | 777 |
| Width (mm): | 1080 |
| Depth (mm): | 223 |
| Gross Weight (kg): | 38 |

Packaging Data

| | |
|---------------|---------------------|
| Box Colour: | Brown Cardboard Box |
| Box Qty: | 1 |
| Label Size: | 150 x 100 |
| Label Colour: | White Label |
| Label Qty: | 2 |

Outer Box Dimensions (If Applicable)

| | |
|--------------------|---------------|
| Height (mm): | |
| Width (mm): | |
| Depth (mm): | |
| Gross Weight (kg): | |
| Barcode: | 5056211818199 |

Product Details

| | |
|--------------------------|-----------------------------|
| Country of Origin: | Ireland |
| Fitting Instruction: | No |
| CE & UKCA: | |
| FSC Certified Materials: | Yes |
| Colour: | Timeless Sand |
| Construction Method: | Cam & Wood Dowel |
| Construction Type: | Rigid |
| Cabinet Finish: | Mdf Vinyl Smooth Matt |
| Fascia Finish: | Mdf Vinyl Smooth Matt |
| Cabinet Thickness (mm): | 18 |
| Fascia Thickness (mm): | 18 |
| Drawer Included: | Not Applicable |
| Drawer Type: | Not Applicable |
| No of Shelves: | 1 |
| Hinge Type: | 95 Degree Inset Clip-On S/C |
| Hinge Included: | Yes |
| Adjustable Legs: | Not Applicable |
| Fixings Included: | Yes |
| Handle Style: | Traditional |
| Waste Shroud: | Not Applicable |
| Handle Included: | Yes |
| Handle Type: | Knob |