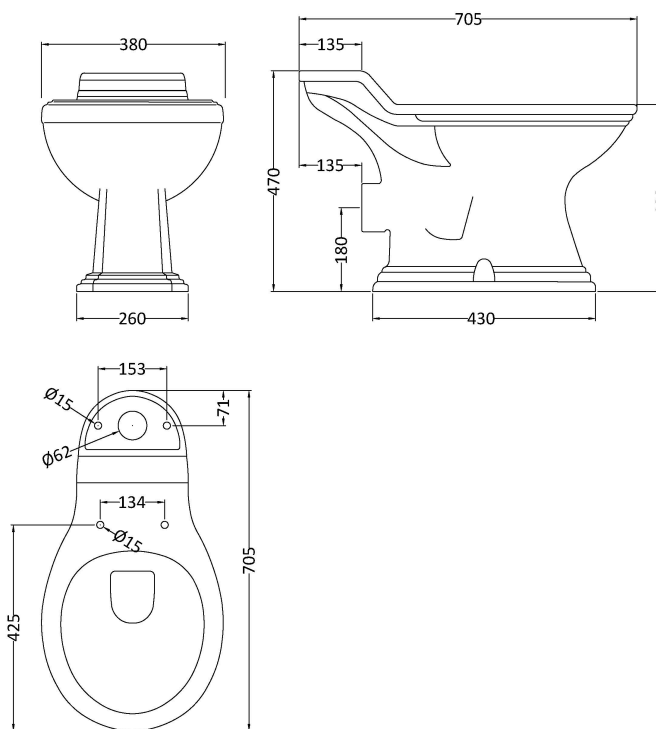


Sales Code: NCA100

Description: Toilet Pan C/C (Excluding Seat)



Product Dimensions

Height (mm):	395
Width (mm):	515
Depth (mm):	205
Nett Weight (kg):	20

Packaging Dimensions

Height (mm):	395
Width (mm):	700
Depth (mm):	465
Gross Weight (kg):	21.2

Packaging Data

Box Colour:	Brown Cardboard Box
Box Qty:	1
Label Size:	100 x 50
Label Colour:	White Label
Label Qty:	2

Outer Box Dimensions (If Applicable)

Height (mm):	
Width (mm):	
Depth (mm):	
Gross Weight (kg):	
Barcode:	5055369026128

Product Details

Country of Origin:	China
Fitting Instruction:	No
Certification: CE & UKCA:	N/A WRAS: N/A WRAS No: N/A
Product Material:	Vitreous China
Fixing Supplied:	No

Pans/Bidets: Trap Style: P Trap Includes Seat: No

Seats: Seat Type: Not Applicable Material: Not Applicable
Function: Not Included Hinge Type: Top & Bottom Fix
Hinge Material: Not Applicable

Cisterns: Operating Type: Not Applicable Fittings: None Included
Lever Type: Not Applicable

Basins: Tap Hole: Not Applicable Chain Stay Hole: No
Template: Not Required Waste Type Req: Not Applicable
Overflow Inc: Overflow Cover: No
Inner Bowl Depth (mm): 405mm