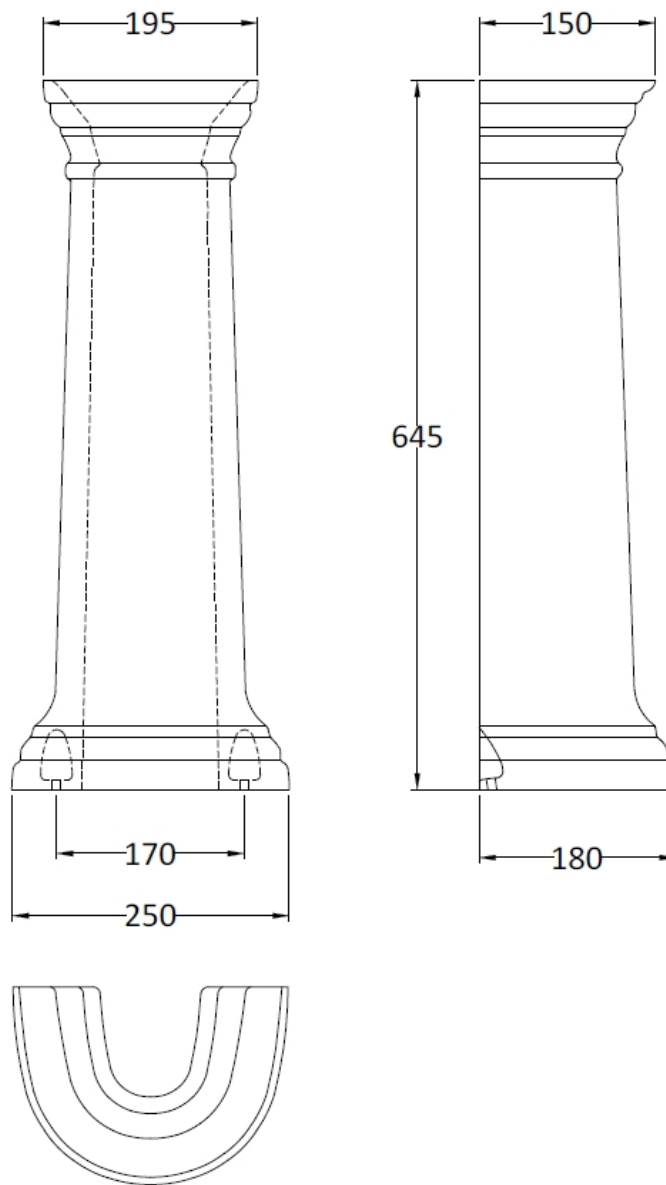


Sales Code: NCA103

Description: Full Pedestal



**Product Dimensions**

Height (mm):	650
Width (mm):	280
Depth (mm):	180
Nett Weight (kg):	8.9

**Packaging Dimensions**

Height (mm):	660
Width (mm):	275
Depth (mm):	190
Gross Weight (kg):	9.4

**Packaging Data**

Box Colour:	Brown Cardboard Box - Printed
Box Qty:	1
Label Size:	100 x 50
Label Colour:	Not Applicable
Label Qty:	0

**Outer Box Dimensions (If Applicable)**

Height (mm):	
Width (mm):	
Depth (mm):	
Gross Weight (kg):	
Barcode:	5055369026159

**Product Details**

Country of Origin:	China
Fitting Instruction:	No
Certification: CE & UKCA:	N/A
WRAS:	N/A
WRAS No:	N/A
Product Material:	Vitreous China
Fixing Supplied:	No

**Pans/Bidets:** Trap Style: Not Applicable      Includes Seat: Not Applicable

**Seats:** Seat Type: Not Applicable      Material: Not Applicable  
 Function: Not Applicable      Hinge Type: Not Applicable  
 Hinge Material: Not Applicable

**Cisterns:** Operating Type: Not Applicable      Fittings: Not Applicable  
 Lever Type: Not Applicable

**Basins:** Tap Hole: Not Applicable      Chain Stay Hole: Not Applicable  
 Template: Not Applicable      Waste Type Req: Not Applicable  
 Overflow Inc: Not Applicable      Overflow Cover: Not Applicable  
 Inner Bowl Depth (mm): N/A