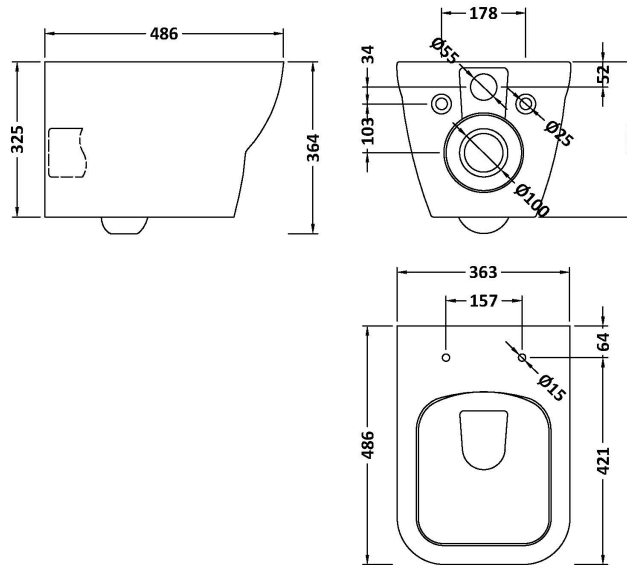


Sales Code: NCG441

Description: Ava Rimless Wall Hung Pan & Sc Seat



### Product Dimensions

Height (mm):	364
Width (mm):	363
Depth (mm):	486
Nett Weight (kg):	24

### Packaging Dimensions

Height (mm):	420
Width (mm):	395
Depth (mm):	540
Gross Weight (kg):	25

### Packaging Data

Box Colour:	Brown Cardboard Box
Box Qty:	1
Label Size:	100 x 50
Label Colour:	White Label
Label Qty:	2

### Outer Box Dimensions (If Applicable)

Height (mm):	
Width (mm):	
Depth (mm):	
Gross Weight (kg):	
Barcode:	5056462688725

### Product Details

Country of Origin:	China
Fitting Instruction:	No
Certification: CE & UKCA:	No
WRAS:	N/A
WRAS No:	N/A
Product Material:	Vitreous China
Fixing Supplied:	No

<b>Pans/Bidets:</b>	Trap Style:	Includes Seat:	Yes
---------------------	-------------	----------------	-----

<b>Seats:</b>	Seat Type:	N/A	Material:	Urea
	Function:	Soft Close	Hinge Type:	Top Fix, Quick Release
	Hinge Material:	Stainless Steel		

<b>Cisterns:</b>	Operating Type:	Not Applicable	Fittings:	Not Applicable
	Lever Type:	N/A		

<b>Basins:</b>	Tap Hole:	Not Applicable	Chain Stay Hole:	Not Applicable
	Template:	Not Applicable	Waste Type Req:	Not Applicable
	Overflow Inc:	Not Applicable	Overflow Cover:	Not Applicable
	Inner Bowl Depth (mm):	N/A		