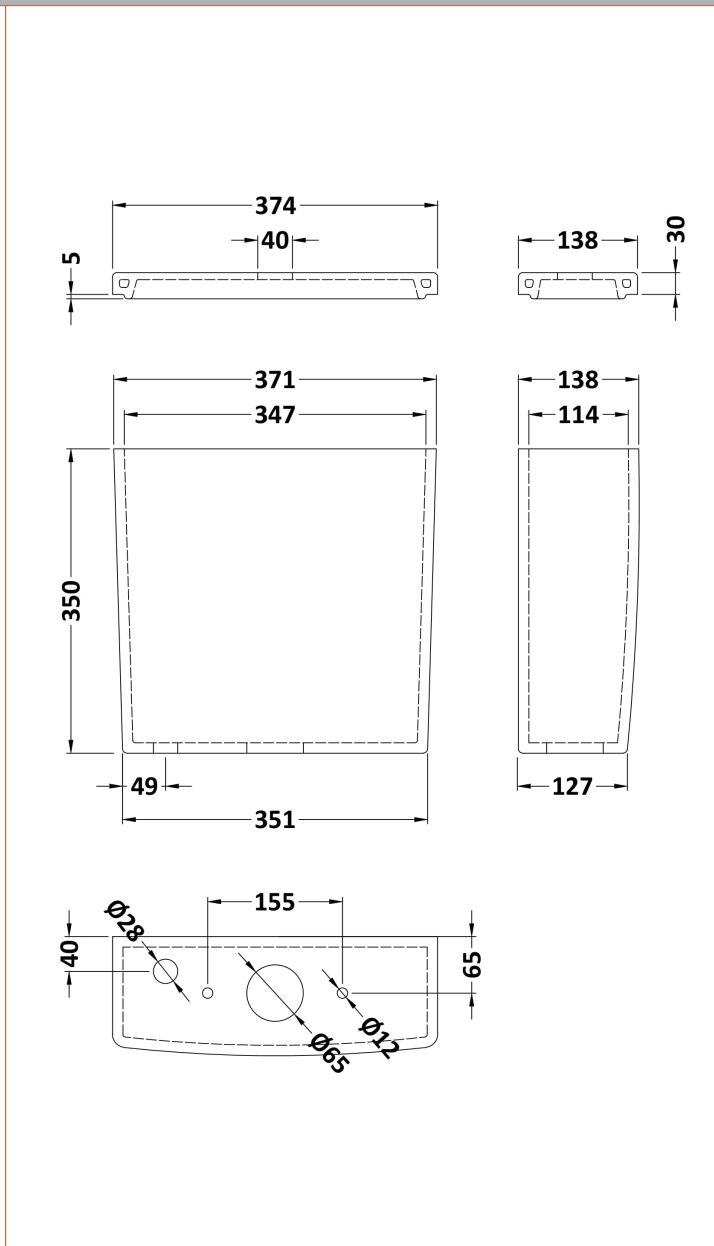


Sales Code: NCH101

Description: Esq Square Cistern & Fittings



Product Dimensions

Height (mm):	380
Width (mm):	374
Depth (mm):	138
Nett Weight (kg):	11.53

Packaging Dimensions

Height (mm):	165
Width (mm):	390
Depth (mm):	410
Gross Weight (kg):	13

Packaging Data

Box Colour:	Brown Cardboard Box - Printed
Box Qty:	1
Label Size:	100 x 50
Label Colour:	Not Applicable
Label Qty:	2

Outer Box Dimensions (If Applicable)

Height (mm):	
Width (mm):	
Depth (mm):	
Gross Weight (kg):	
Barcode:	5055369022540

Product Details

Country of Origin:	China
Fitting Instruction:	No
Certification: CE & UKCA: Yes	WRAS: N/A WRAS No: N/A
Product Material:	Vitreous China
Fixing Supplied:	No

Pans/Bidets: Trap Style: Not Applicable Includes Seat: No

Seats:	Seat Type: Not Applicable	Material: Not Applicable
	Function: Not Applicable	Hinge Type: Not Applicable
	Hinge Material: Not Applicable	

Cisterns:	Operating Type: Push Button	Fittings: Loose 6/3L
	Lever Type: Plastic Chrome Platec	

Basins:	Tap Hole: No Tapholes	Chain Stay Hole: Not Applicable
	Template: Not Applicable	Waste Type Req: Not Applicable
	Overflow Inc: Not Applicable	Overflow Cover: Not Applicable
	Inner Bowl Depth (mm): N/A	