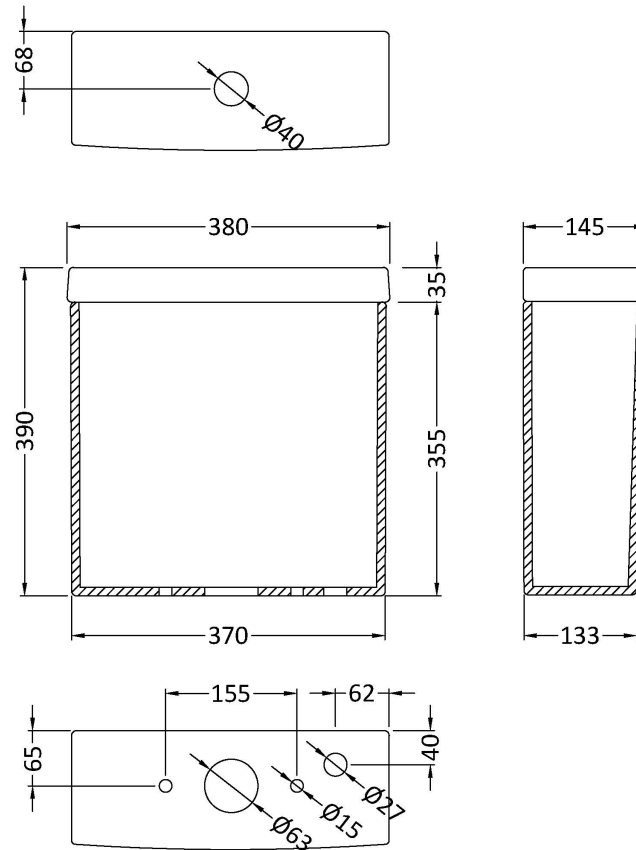


Sales Code: NCH601

Description: Harmony Cistern & Fittings



Product Dimensions

Height (mm):	390
Width (mm):	380
Depth (mm):	145
Nett Weight (kg):	13.5

Packaging Dimensions

Height (mm):	410
Width (mm):	425
Depth (mm):	170
Gross Weight (kg):	13.7

Packaging Data

Box Colour:	Brown Cardboard Box
Box Qty:	1
Label Size:	100 x 50
Label Colour:	White Label
Label Qty:	2

Outer Box Dimensions (If Applicable)

Height (mm):	
Width (mm):	
Depth (mm):	
Gross Weight (kg):	
Barcode:	5055275827123

Product Details

Country of Origin:	China
Fitting Instruction:	No
Certification: CE & UKCA: No	WRAS: No WRAS No: N/A
Product Material:	Vitreous China
Fixing Supplied:	No

Pans/Bidets: Trap Style: Not Applicable Includes Seat: Not Applicable

Seats: Seat Type: Not Applicable Material: Not Applicable
Function: Not Included Hinge Type: Not Relevant
Hinge Material: Not Applicable

Cisterns: Operating Type: Push Button Fittings: Loose 6/3L
Lever Type: Plastic Chrome Platec

Basins: Tap Hole: Not Applicable Chain Stay Hole: No
Template: Not Required Waste Type Req: Not Applicable
Overflow Inc: Not Applicable Overflow Cover: No
Inner Bowl Depth (mm): N/A