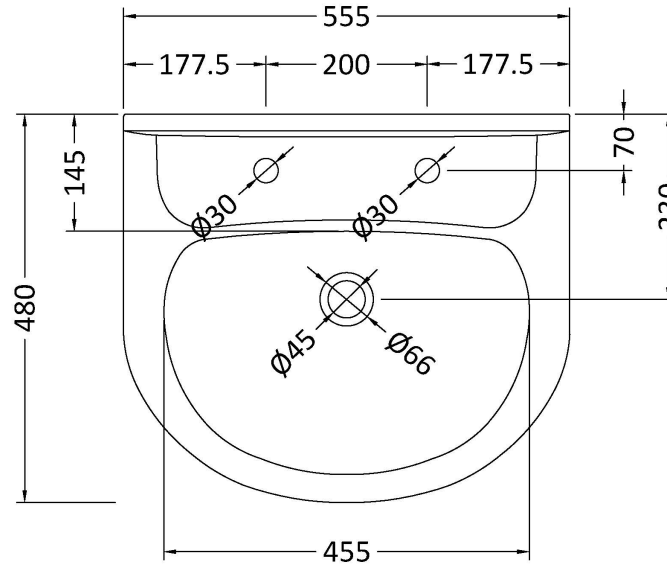


Sales Code: NCS122

Description: Melbourne Large Basin 2Th



### Product Dimensions

Height (mm):	232
Width (mm):	550
Depth (mm):	475
Nett Weight (kg):	12.5

### Packaging Dimensions

Height (mm):	245
Width (mm):	570
Depth (mm):	485
Gross Weight (kg):	12.7

### Packaging Data

Box Colour:	Brown Cardboard Box
Box Qty:	1
Label Size:	110 x 50
Label Colour:	White Label
Label Qty:	2

### Outer Box Dimensions (If Applicable)

Height (mm):	
Width (mm):	
Depth (mm):	
Gross Weight (kg):	
Barcode:	5055369026517

### Product Details

Country of Origin:	China
Fitting Instruction:	No
Certification: CE & UKCA: No	WRAS: N/A WRAS No: N/A
Product Material:	Vitreous China
Fixing Supplied:	Not Applicable

**Pans/Bidets:** Trap Style: Not Applicable Includes Seat: Not Applicable

**Seats:** Seat Type: Not Applicable Material: Not Applicable  
Function: Not Applicable Hinge Type: Not Applicable  
Hinge Material: Not Applicable

**Cisterns:** Operating Type: Not Applicable Fittings: Not Applicable  
Lever Type: Not Applicable

**Basins:** Tap Hole: Two Tapholes Chain Stay Hole: No  
Template: Not Required Waste Type Req: Slotted  
Overflow Inc: Yes Overflow Cover: Yes  
Inner Bowl Depth (mm): 160mm