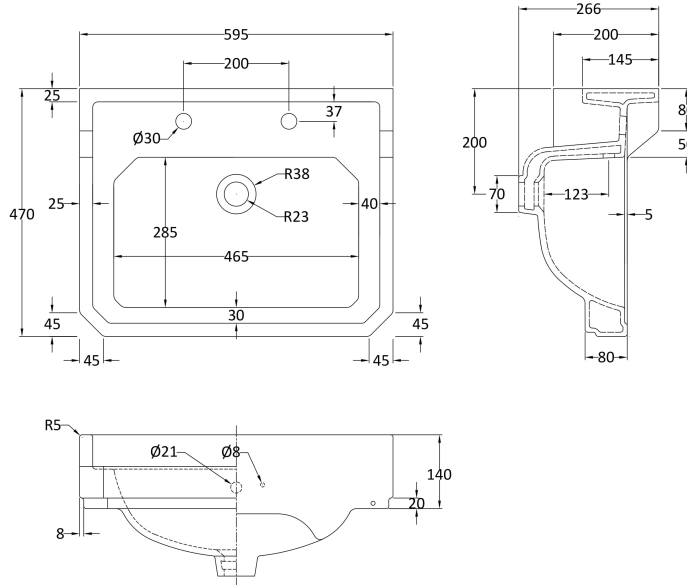


Sales Code: NCS882

Description: 595mm Basin 2Th



Product Dimensions

Height (mm):	266
Width (mm):	595
Depth (mm):	470
Nett Weight (kg):	20.5

Packaging Dimensions

Height (mm):	287
Width (mm):	615
Depth (mm):	490
Gross Weight (kg):	22.1

Packaging Data

Box Colour:	Brown Cardboard Box - Printed
Box Qty:	1
Label Size:	100 x 50
Label Colour:	Not Applicable
Label Qty:	0

Outer Box Dimensions (If Applicable)

Height (mm):	
Width (mm):	
Depth (mm):	
Gross Weight (kg):	
Barcode:	5055369038671

Product Details

Country of Origin:	China
Fitting Instruction:	No
Certification: CE & UKCA:	N/A
WRAS:	N/A
WRAS No:	N/A
Product Material:	Vitreous China
Fixing Supplied:	No

Pans/Bidets: Trap Style: Not Applicable Includes Seat: Not Applicable

Seats: Seat Type: Not Applicable Material: Not Applicable
Function: Not Applicable Hinge Type: Not Applicable
Hinge Material: Not Applicable

Cisterns: Operating Type: Not Applicable Fittings: Not Applicable
Lever Type: Not Applicable

Basins: Tap Hole: Two Tapholes Chain Stay Hole: Yes
Template: Not Required Waste Type Req: Slotted With Plu
Overflow Inc: Yes Overflow Cover: Not Applicable
Inner Bowl Depth (mm): 112mm