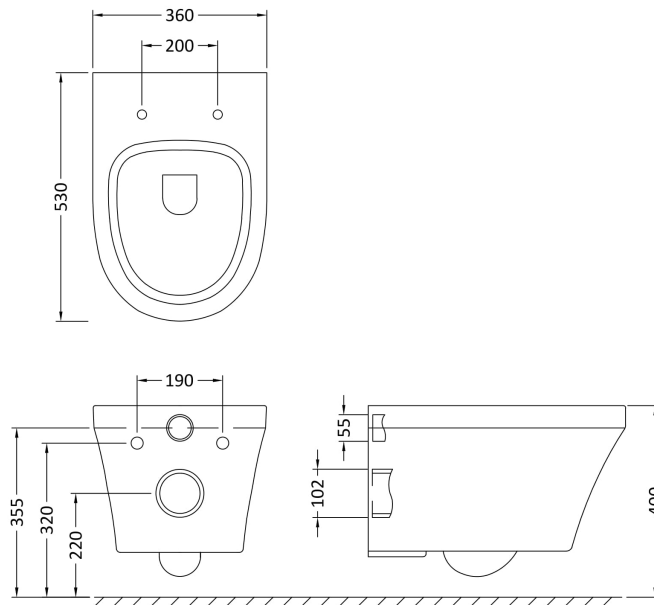


Sales Code: NCU600C

Description: Wall Hung Pan



Product Dimensions

Height (mm):	400
Width (mm):	355
Depth (mm):	530
Nett Weight (kg):	32.7

Packaging Dimensions

Height (mm):	400
Width (mm):	360
Depth (mm):	550
Gross Weight (kg):	32.7

Packaging Data

Box Colour:	Brown Cardboard Box - Printed		
Box Qty:	1		
Label Size:	100 x 50		
Label Colour:	White Label		
Label Qty:	2		

Outer Box Dimensions (If Applicable)

Height (mm):	
Width (mm):	
Depth (mm):	
Gross Weight (kg):	
Barcode:	5056211815600

Product Details

Country of Origin:	Turkey		
Fitting Instruction:	No		
Certification: CE & UKCA:	Yes	WRAS: N/A	WRAS No: N/A
Product Material:	Vitreous China		
Fixing Supplied:	Yes		

Pans/Bidets:	Trap Style: P Trap	Includes Seat: No
---------------------	--------------------	-------------------

Seats:	Seat Type: Round	Material: Not Applicable
	Function: Not Applicable	Hinge Type: Top Fix
	Hinge Material: Not Applicable	

Cisterns:	Operating Type: Not Applicable	Fittings: Not Applicable
	Lever Type: Not Applicable	

Basins:	Tap Hole: Not Applicable	Chain Stay Hole: Not Applicable
	Template: Not Applicable	Waste Type Req: Not Applicable
	Overflow Inc: Not Applicable	Overflow Cover: Not Applicable
	Inner Bowl Depth (mm): N/A	