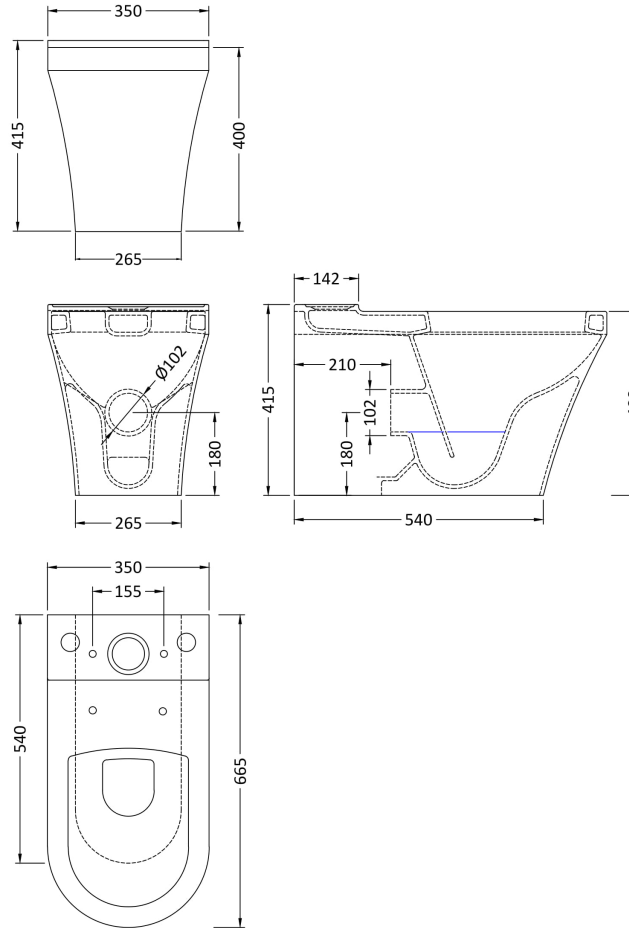


Sales Code: NCU600

Description: Back To Wall Close Couple Pan



**Product Dimensions**

Height (mm):	415
Width (mm):	350
Depth (mm):	665
Nett Weight (kg):	24

**Packaging Dimensions**

Height (mm):	430
Width (mm):	370
Depth (mm):	710
Gross Weight (kg):	24

**Packaging Data**

Box Colour:	Brown Cardboard Box - Printed
Box Qty:	1
Label Size:	100 x 50
Label Colour:	White Label
Label Qty:	2

**Outer Box Dimensions (If Applicable)**

Height (mm):	
Width (mm):	
Depth (mm):	
Gross Weight (kg):	
Barcode:	5055369030873

**Product Details**

Country of Origin:	Turkey
Fitting Instruction:	No
Certification: CE & UKCA:	Yes
WRAS:	N/A
WRAS No:	N/A
Product Material:	Vitreous China
Fixing Supplied:	Yes

**Pans/Bidets:** Trap Style: P Trap Includes Seat: No

**Seats:** Seat Type: D-Shape Material: Not Applicable  
 Function: Not Applicable Hinge Type: Top Fix  
 Hinge Material: Not Applicable

**Cisterns:** Operating Type: Not Applicable Fittings: Not Applicable  
 Lever Type: Not Applicable

**Basins:** Tap Hole: Not Applicable Chain Stay Hole: Not Applicable  
 Template: Not Applicable Waste Type Req: Not Applicable  
 Overflow Inc: Not Applicable Overflow Cover: Not Applicable  
 Inner Bowl Depth (mm): N/A