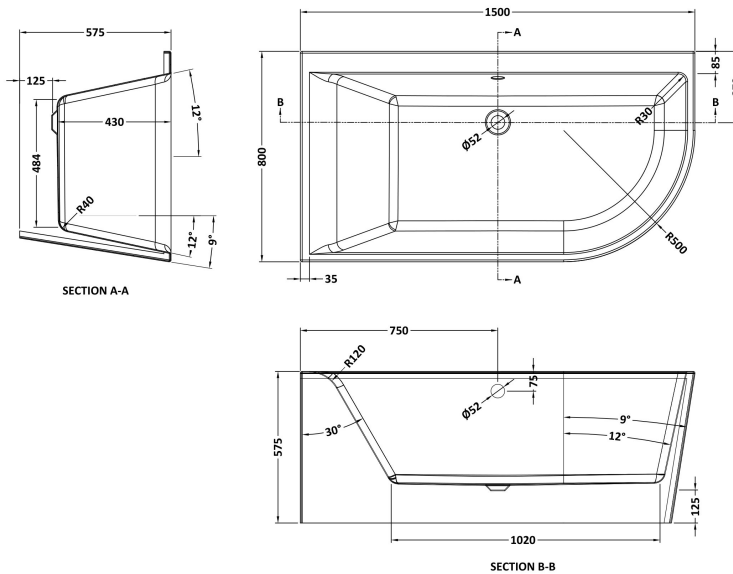


Sales Code: NFB106L

Description: Curved Freestanding Bath Lh 1500X800x575



Product Dimensions

| | |
|-------------------|------|
| Length (mm): | 1500 |
| Width (mm): | 800 |
| Depth (mm): | 575 |
| Nett Weight (kg): | 39 |

Packaging Dimensions

| | |
|--------------------|------|
| Length (mm): | 1500 |
| Width (mm): | 800 |
| Depth (mm): | 575 |
| Gross Weight (kg): | 39 |

Packaging Data

| | |
|---------------|---------------------|
| Box Colour: | Brown Cardboard Box |
| Box Qty: | 1 |
| Label Size: | 100 x 50 |
| Label Colour: | White Label |
| Label Qty: | 1 |

Outer Box Dimensions (If Applicable)

| | |
|--------------------|---------------|
| Length (mm): | |
| Width (mm): | |
| Height (mm): | |
| Gross Weight (kg): | |
| Barcode: | 5056678446676 |

Product Details

| | |
|----------------------------|-----------------------|
| Country of Origin: | Egypt |
| Fitting Instruction: | No |
| Certification: | FSC: No CE & UKCA: No |
| Material Colour Reference: | European White |
| Product Material: | Acrylic |
| Material Thickness: | |
| Volume (Ltr): | 205 |
| Displaced Capacity: | 135 |
| Leg Set Included: | Legset Included |
| Waste Included: | Waste Not Included |
| Drilled/Undrilled: | Undrilled For Taps |
| Includes Grips: | No Grips Supplied |
| Embossed: | No |
| No of Tapholes: | None |
| Anti-Slip: | No |