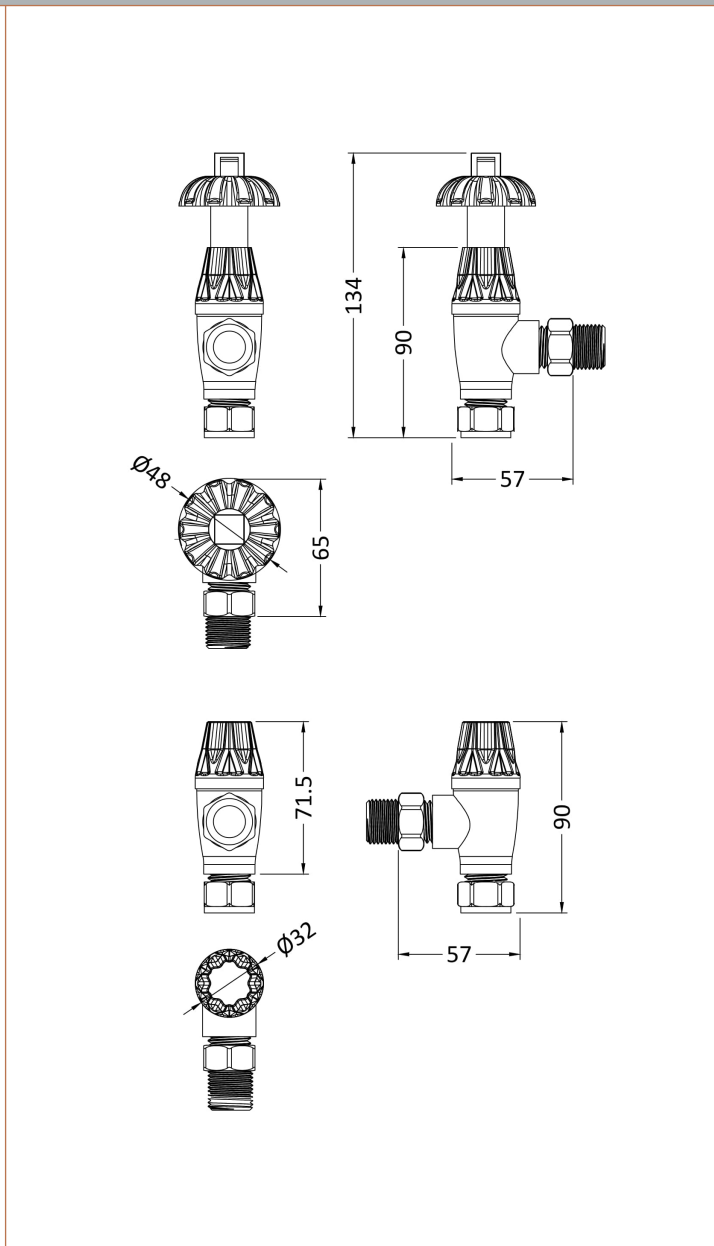


Sales Code: RV007

Description: Angled Thermo Rad Valve & Lockshield



Product Dimensions			
Height (mm):	136		
Width (mm):	55		
Depth (mm):	80		
Length (mm):			
Nett Weight (kg):	0.83		
Packaging Dimensions			
Height (mm):	85		
Width (mm):	145		
Length (mm):	185		
Gross Weight (kg):	0.83		
Packaging Data			
Box Colour:	White Cardboard Box		
Box Qty:	1		
Label Size:	100 x 50		
Label Colour:	White Label		
Label Qty:	1		
Outer Box Dimensions (If Applicable)			
Height (mm):			
Width (mm):			
Length (mm):			
Gross Weight (kg):			
Barcode:	5055369056736		
Product Details			
Country of Origin:	United Kingdom		
Fitting Instruction:	No		
Certification:	CE & UKCA: N/A	RoHS: N/A	WEEE: N/A
Colour/Finish:	Chrome		
RAL No:	N/A		
Product Material:	Steel		
Heat Element Wattage:	Not Applicable		
Heating Element Wattage Compatible:	N/A		
BTU Outputs:	30°C / N/A	50°C / N/A	60°C /
Thermal Outputs: (Watts)	30°C / N/A	50°C / N/A	60°C /
Pipe Centres - If Vertical:	N/A		
Pipe Centres - If Horizontal:	N/A		
Max Projection:	N/A		
Tube Diameter:	N/A		
Packaging Volume (L):	N/A		
Wall to Centre of Tappings:	N/A		
Floor to Centre of Tappings:	N/A		
Dual Fuel:	N/A		
IP Rating:			