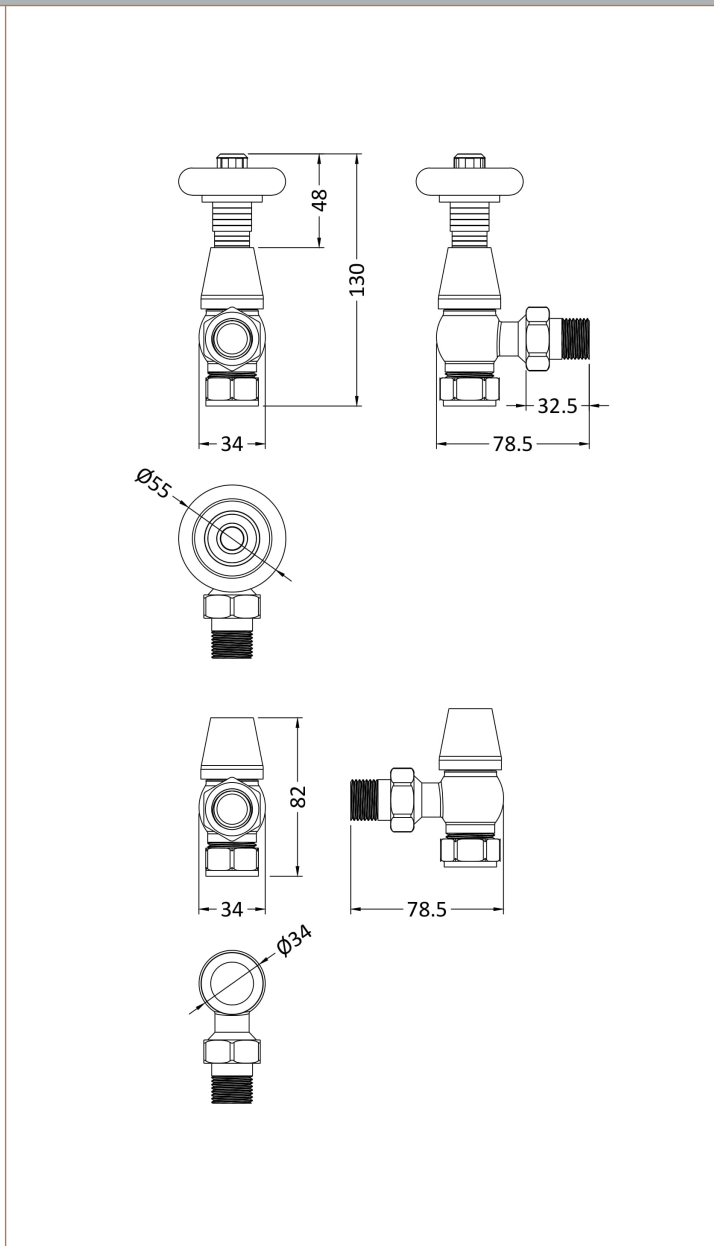


Sales Code: RV202

Description: Chelsea Angled Thermo Rad Valve & Locksh



| Product Dimensions | | | |
|--------------------------------------|---------------------|------------|----------|
| Height (mm): | 131 | | |
| Width (mm): | 55 | | |
| Depth (mm): | 97 | | |
| Length (mm): | | | |
| Nett Weight (kg): | 0.83 | | |
| Packaging Dimensions | | | |
| Height (mm): | 185 | | |
| Width (mm): | 145 | | |
| Length (mm): | 85 | | |
| Gross Weight (kg): | 0.83 | | |
| Packaging Data | | | |
| Box Colour: | White Cardboard Box | | |
| Box Qty: | 1 | | |
| Label Size: | 100 x 50 | | |
| Label Colour: | White Label | | |
| Label Qty: | 1 | | |
| Outer Box Dimensions (If Applicable) | | | |
| Height (mm): | | | |
| Width (mm): | | | |
| Length (mm): | | | |
| Gross Weight (kg): | | | |
| Barcode: | 5055275862377 | | |
| Product Details | | | |
| Country of Origin: | United Kingdom | | |
| Fitting Instruction: | No | | |
| Certification: | CE & UKCA: N/A | RoHS: N/A | WEEE: No |
| Colour/Finish: | Chrome | | |
| RAL No: | N/A | | |
| Product Material: | Brass | | |
| Heat Element Wattage: | Not Applicable | | |
| Heating Element Wattage Compatible: | N/A | | |
| BTU Outputs: | 30°C / N/A | 50°C / N/A | 60°C / |
| Thermal Outputs: (Watts) | 30°C / N/A | 50°C / N/A | 60°C / |
| Pipe Centres - If Vertical: | N/A | | |
| Pipe Centres - If Horizontal: | N/A | | |
| Max Projection: | | | |
| Tube Diameter: | 15mm | | |
| Packaging Volume (L): | N/A | | |
| Wall to Centre of Tappings: | N/A | | |
| Floor to Centre of Tappings: | N/A | | |
| Dual Fuel: | N/A | | |
| IP Rating: | | | |