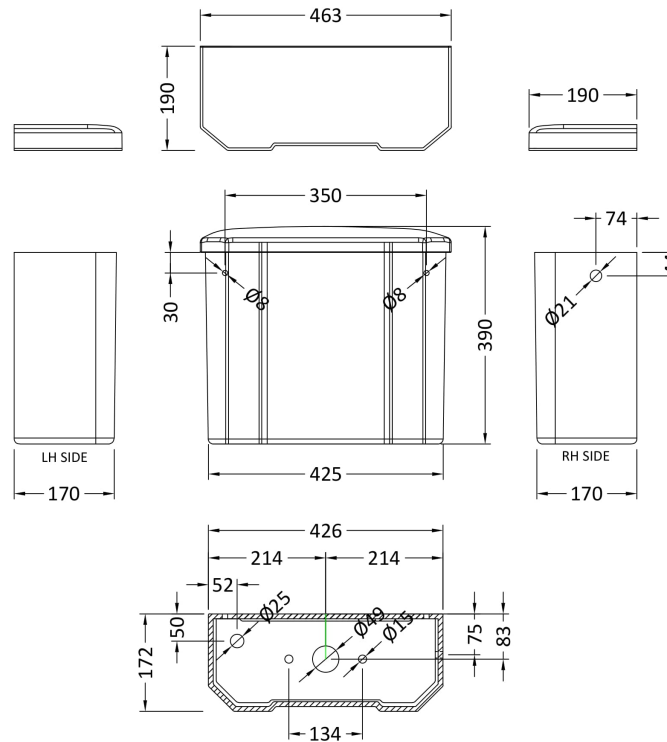


Sales Code: VCCC101

Description: Victrion Cc Cistern With Logo Inc Ftgs



### Product Dimensions

Height (mm):	387
Width (mm):	460
Depth (mm):	190
Nett Weight (kg):	15

### Packaging Dimensions

Height (mm):	447
Width (mm):	205
Depth (mm):	470
Gross Weight (kg):	15

### Packaging Data

Box Colour:	
Box Qty:	0
Label Size:	0 x 0
Label Colour:	
Label Qty:	0

### Outer Box Dimensions (If Applicable)

Height (mm):	
Width (mm):	
Depth (mm):	
Gross Weight (kg):	
Barcode:	5056211884767

### Product Details

Country of Origin:	China
Fitting Instruction:	No
Certification: CE & UKCA:	WRAS: WRAS No:
Product Material:	Ceramic
Fixing Supplied:	Yes

**Pans/Bidets:** Trap Style: N/A Includes Seat: Not Applicable

**Seats:** Seat Type: N/A Material: Not Applicable  
Function: Not Applicable Hinge Type: Not Applicable  
Hinge Material: Not Applicable

**Cisterns:** Operating Type: Lever Fittings: Loose Single 6L  
Lever Type: Ceramic / Chrome Pla

**Basins:** Tap Hole: Not Applicable Chain Stay Hole: Not Applicable  
Template: Not Applicable Waste Type Req: Not Applicable  
Overflow Inc: Not Applicable Overflow Cover: No  
Inner Bowl Depth (mm): N/A