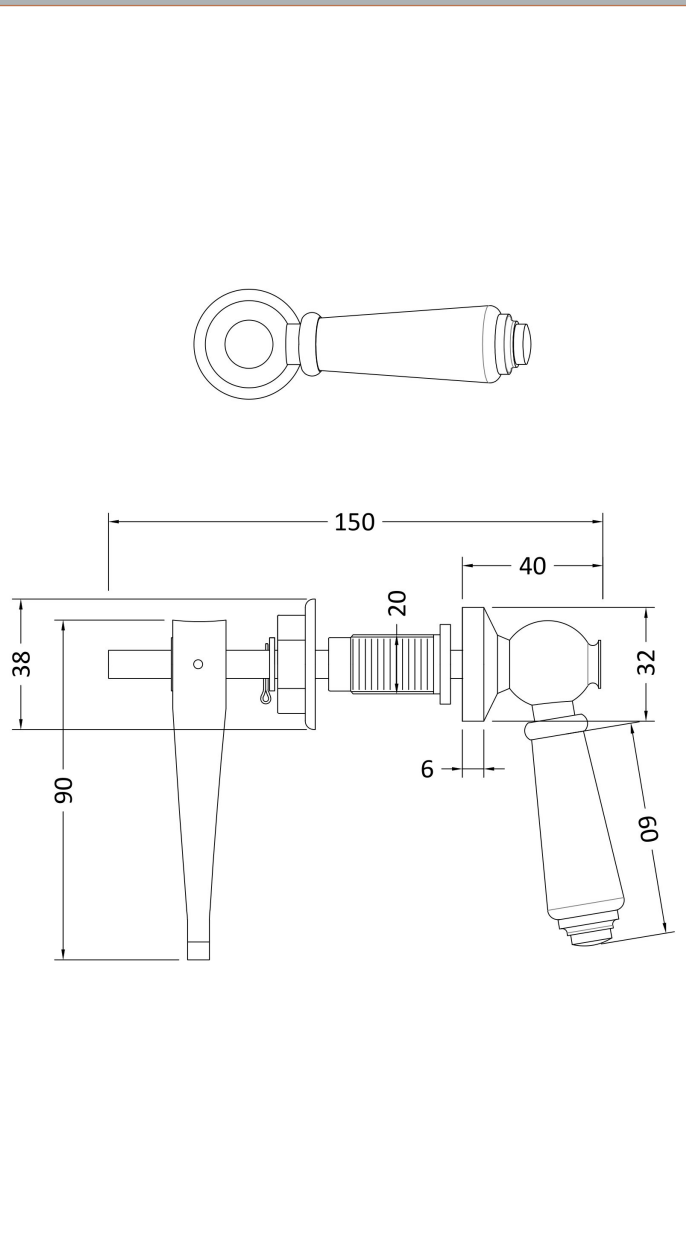


Sales Code: VCCL001G

Description: Lever Handle For C/C & M/L



Product Dimensions

Length (mm):	
Width (mm):	32
Height (mm):	165
Depth (mm):	99
Nett Weight (kg):	0.2

Packaging Dimensions

Height (mm):	180
Width (mm):	110
Depth (mm):	30
Gross Weight (kg):	0.25

Packaging Data

Box Colour:	White Cardboard Box
Box Qty:	1
Label Size:	100 x 50
Label Colour:	White Label
Label Qty:	2

Outer Box Dimensions (If Applicable)

Height (mm):	
Width (mm):	
Length (mm):	
Depth (mm):	
Gross Weight (kg):	15
Barcode:	5056462624792

Product Details

Country of Origin:	China
Fitting Instruction:	No
CE & UKCA:	N/A
Product Material:	Brass;Ceramic
Heating Element Wattage:	Not Applicable
Colour/Finish:	Gold
Product Diameter:	32mm
Connection Size:	Not Applicable