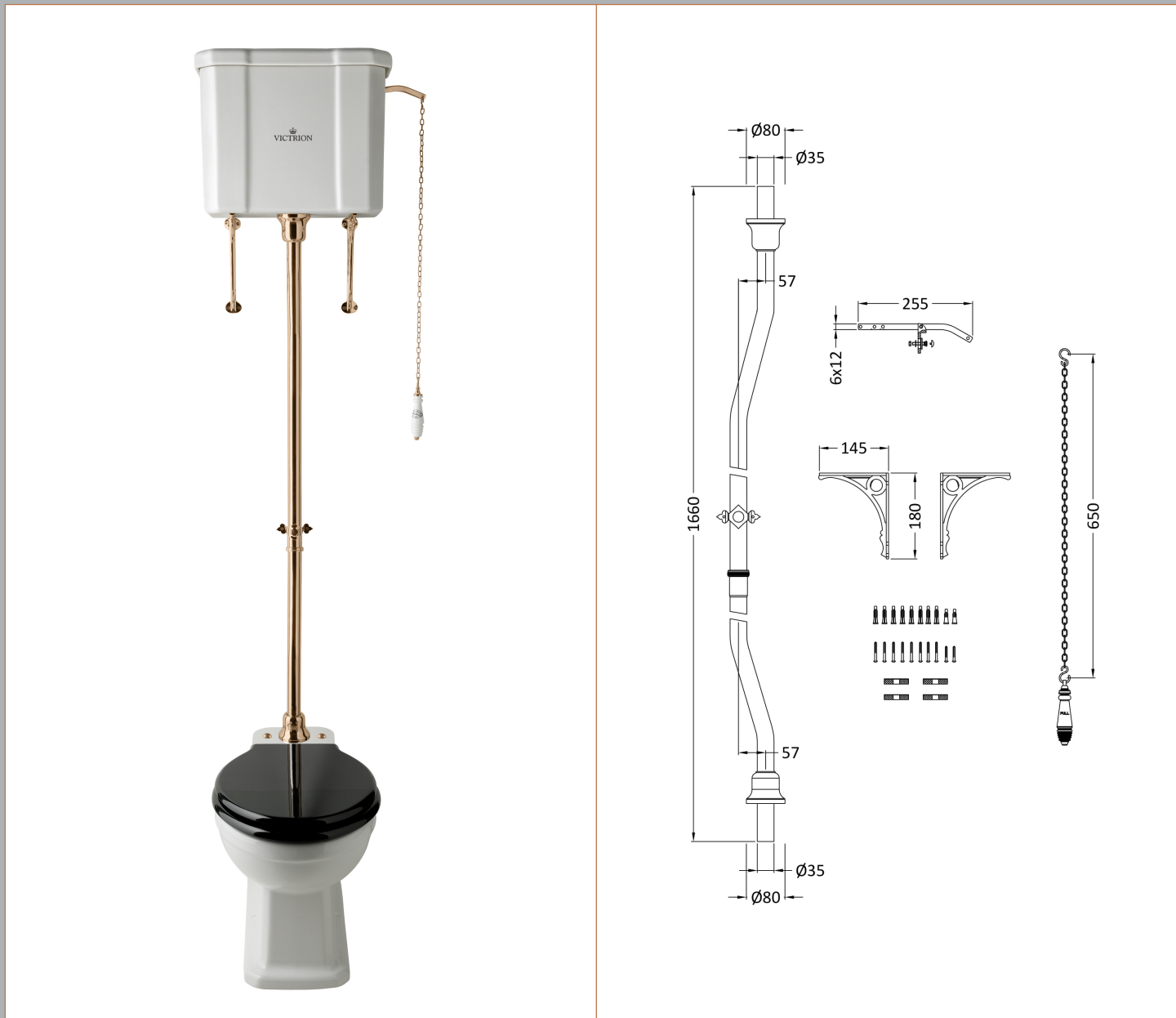


Sales Code: VCHF003PCO

Description: Victrion High Level Flush Pipe Kit



Product Dimensions

Length (mm):	
Width (mm):	80
Height (mm):	1660
Depth (mm):	205
Nett Weight (kg):	3.5

Packaging Dimensions

Height (mm):	75
Width (mm):	80
Depth (mm):	1680
Gross Weight (kg):	4

Packaging Data

Box Colour:	White Cardboard Box
Box Qty:	1
Label Size:	100 x 50
Label Colour:	White Label
Label Qty:	2

Outer Box Dimensions (If Applicable)

Height (mm):	210
Width (mm):	1420
Length (mm):	
Depth (mm):	
Gross Weight (kg):	15
Barcode:	5056462662800

Product Details

Country of Origin:	United Kingdom
Fitting Instruction:	No
CE & UKCA:	N/A
Product Material:	Brass
Heating Element Wattage:	Not Applicable
Colour/Finish:	Copper
Product Diameter:	35mm
Connection Size:	11/2"