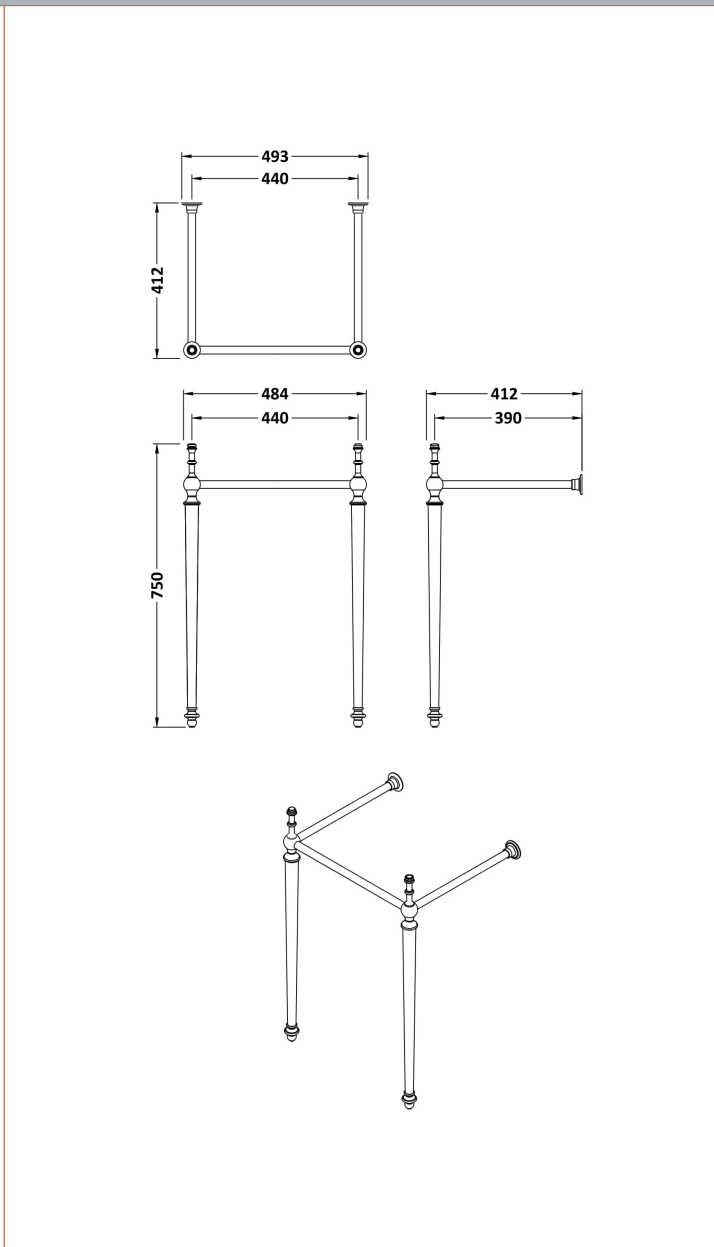


Sales Code: VCOBS101BN

Description: Victrion Ornate Stand 640 Basin



Product Dimensions

Length (mm):	
Width (mm):	493
Height (mm):	750
Depth (mm):	412
Nett Weight (kg):	3.6

Packaging Dimensions

Height (mm):	412
Width (mm):	484
Depth (mm):	750
Gross Weight (kg):	3.95

Packaging Data

Box Colour:	Brown Cardboard Box
Box Qty:	1
Label Size:	100 x 50
Label Colour:	White Label
Label Qty:	2

Outer Box Dimensions (If Applicable)

Height (mm):	
Width (mm):	
Length (mm):	
Depth (mm):	
Gross Weight (kg):	
Barcode:	5056462662930

Product Details

Country of Origin:	United Kingdom
Fitting Instruction:	No
CE & UKCA:	N/A
Product Material:	Stainless Steel
Heating Element Wattage:	Not Applicable
Colour/Finish:	Brushed Nickel
Product Diameter:	N/A
Connection Size:	Not Applicable