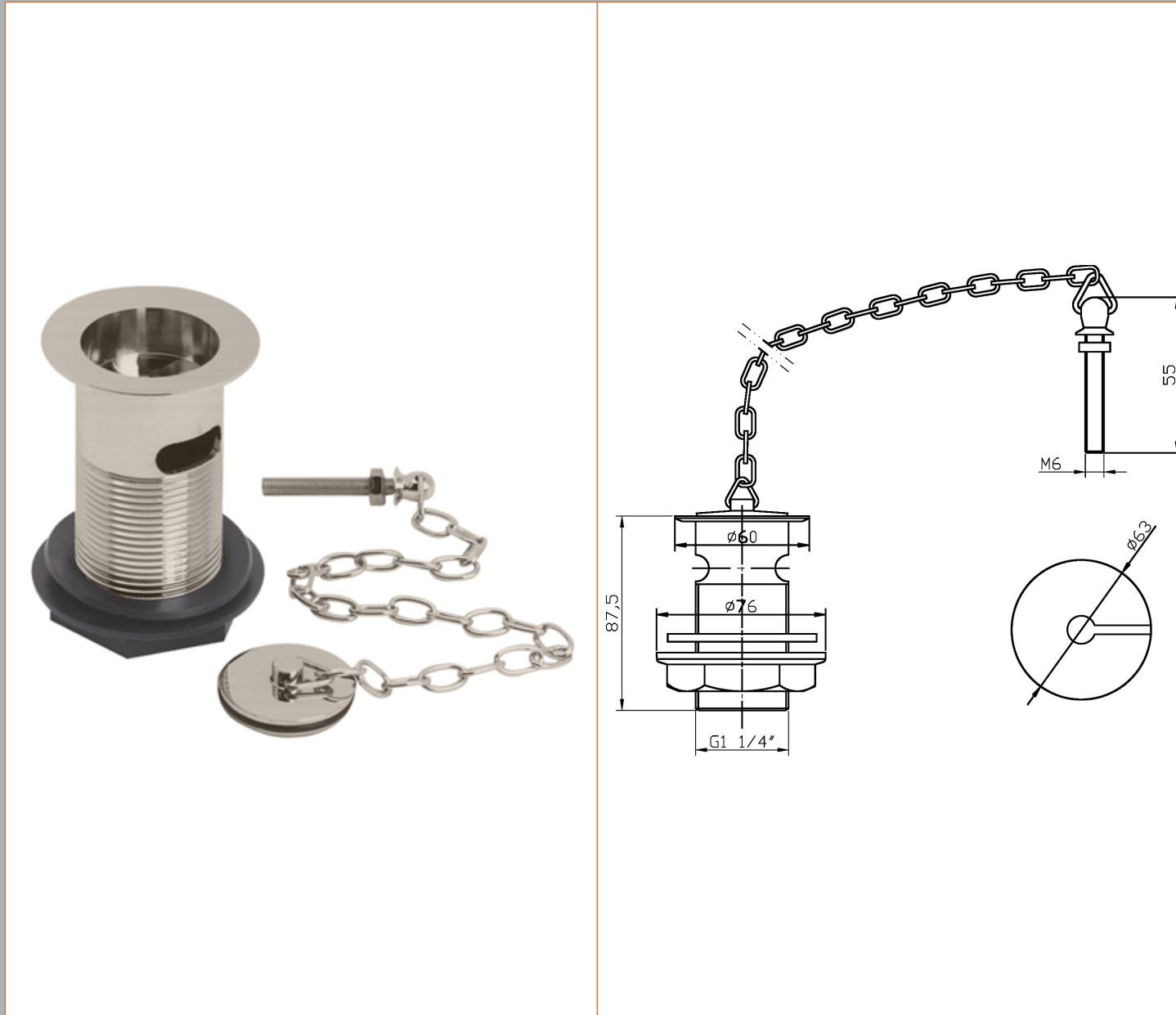


Sales Code: WAS219BN

Description: Basin Waste With Link Chain - B/Nickel



Product Dimensions

Length (mm):	
Width (mm):	60
Height (mm):	88
Depth (mm):	60
Nett Weight (kg):	0.28

Packaging Dimensions

Height (mm):	70
Width (mm):	70
Depth (mm):	100
Gross Weight (kg):	0.28

Packaging Data

Box Colour:	White Cardboard Box
Box Qty:	1
Label Size:	100 x 50
Label Colour:	White Label
Label Qty:	2

Outer Box Dimensions (If Applicable)

Height (mm):	
Width (mm):	
Length (mm):	
Depth (mm):	
Gross Weight (kg):	21
Barcode:	5056462618838

Product Details

Country of Origin:	China
Fitting Instruction:	No
CE & UKCA:	N/A
Product Material:	Brass
Heating Element Wattage:	Not Applicable
Colour/Finish:	Brushed Nickel
Product Diameter:	60mm
Connection Size:	1 1/4"