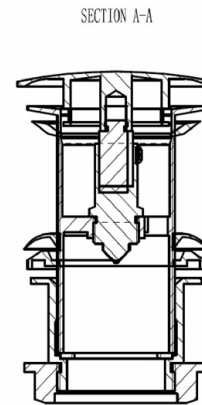
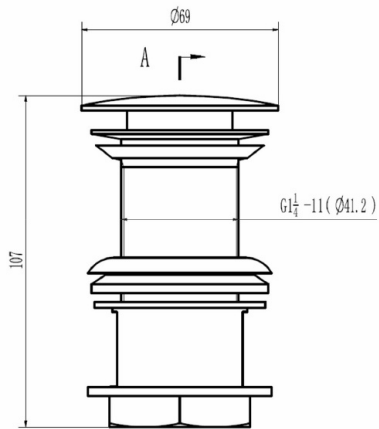


Sales Code: WAS220N

Description: Push Down Basin Waste (Unslotted)



Product Dimensions

Length (mm):
 Width (mm):
 Height (mm):
 Depth (mm):
 Nett Weight (kg): 0.35

Packaging Dimensions

Height (mm): 105
 Width (mm): 75
 Depth (mm): 75
 Gross Weight (kg): 0.35

Packaging Data

Box Colour:
 Box Qty:
 Label Size: x
 Label Colour:
 Label Qty:

Outer Box Dimensions (If Applicable)

Height (mm):
 Width (mm):
 Length (mm):
 Depth (mm):
 Gross Weight (kg):
 Barcode: 5056462662541

Product Details

Country of Origin: United Kingdom
 Fitting Instruction: No
 CE & UKCA:
 Product Material:
 Heating Element Wattage:
 Colour/Finish:
 Product Diameter:
 Connection Size: